



The first louverless direct-vent fireplace from Lennox with a classic masonry-built appearance and tall opening that accentuates a superb log set and fire presentation.

**LENNOX**<sup>TM</sup>  
**HEARTH PRODUCTS**

DAVE LENNOX  
*signature*<sup>TM</sup>  
COLLECTION



**Montebello® LSM45-2** shown with Black ceramic brick fireplace liner, birch logs and mission-style andirons.

■ Imagine having the convenience of gas with the classic beauty of a real masonry-built fireplace. The Dave Lennox *Signature™* Collection Montebello® gas fireplace allows you to have both—with no compromises! It has everything you could ask for in a fireplace. Its louverless design is smooth and elegant, reminiscent of a classic masonry fireplace. A dramatic fire presentation with glowing embers, dancing flames and just the right amount of heat sets the perfect mood. The instant convenience of Lennox gas technology gives you total control of your fireplace and its heat output. Plus, the Montebello is available in two sizes with an array of premium options and accessories to give you the freedom to create the fireplace that fits your style and your home. ■



## CUSTOMIZE TO YOUR TASTE

With the Dave Lennox *Signature*™ Collection Montebello® gas-burning fireplace, you have plenty of options to create the perfect look. Start with the standard ceramic brick fireplace liner and log sets, then choose from an amazing list of optional accessories. Before you know it, you'll be relaxing in front of your dream fireplace!

### STEP 1: LINERS (required design option)

Choose from six realistic ceramic brick fireplace liners that deliver the true look of masonry craftsmanship



*Buff Rustic*



*Buff Herringbone*



*Red Rustic*



*Red Herringbone*



*Black*



*Red Old Cottage*

### STEP 2: LOG SETS (required design option)

Choose from two finely crafted log sets with detailing that replicates the natural look of real wood



*Rustic oak*



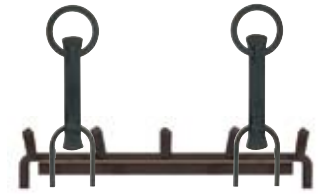
*Birch*

### STEP 3: ANDIRONS (optional)

Add beautiful andirons to evoke the look of a traditional hearth and help keep logs in place



*Classic style*



*Mission style*

### STEP 4: BARRIER SCREEN KIT (optional)

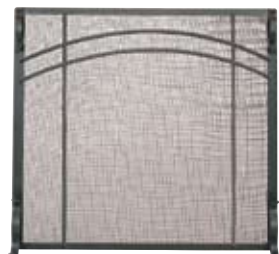
Create a barrier to prevent direct contact with hot glass. Affixes directly to the front of the fireplace



*Barrier screen*

### STEP 5: FREE-STANDING SCREENS (optional)

Add a decorative element with a free-standing designer fire screen



*Dual arch*



*Arch*



*Classic*

### STEP 6: REMOTE CONTROL (optional)

Choose from standard, deluxe or full-function remote controls that offer a range of functions from simple on/off to a sleep timer to modulating flame height





**Montebello®** shown with Buff Herringbone ceramic brick fireplace liner, rustic oak logs and classic-style andirons



**Montebello** shown with Red Herringbone ceramic brick fireplace liner, birch logs and classic-style andirons



**Montebello** shown with Red Old Cottage ceramic brick fireplace liner, rustic oak logs and mission-style andirons



**Montebello** shown with Red Rustic brick ceramic brick fireplace liner, birch logs and mission-style andirons

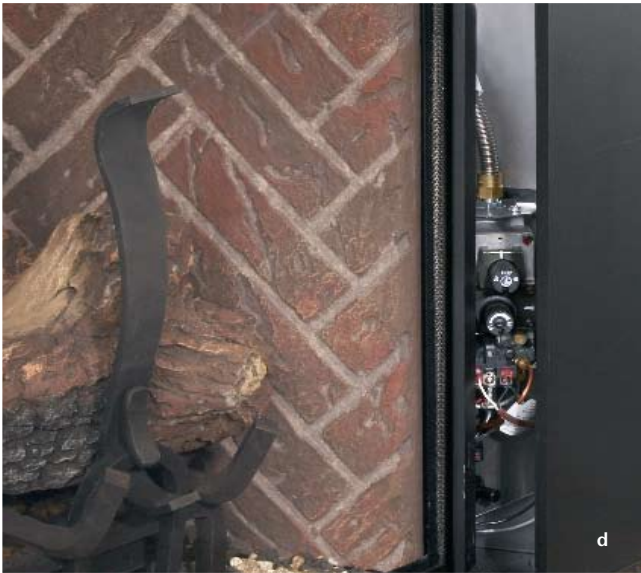




## STANDARD FEATURES

- a. Louverless design for a true masonry-built appearance. Ceramic glass delivers optimum heat transfer and safety. Tall opening provides an exceptional view with minimum reflection
- b. Flush burner system provides tall, dancing flames and beautiful glowing embers
- c. Mesh pull screens hide the glass door frame and simulate the appearance of a wood-burning fireplace
- d. Gas controls are conveniently located to the side of the fireplace opening for easy installation, finishing and operation. The standard modesty panel hides the controls from view
- e. Exclusive Secure Vent™ chimney system for precise installation and efficient venting without the use of caulking or sealant tapes like competitive systems

Backed by the Good Housekeeping Seal



**Montebello® LSM45-2** shown with Buff Rustic ceramic brick fireplace liner, rustic oak logs, classic-style andirons and dual arch free-standing screen



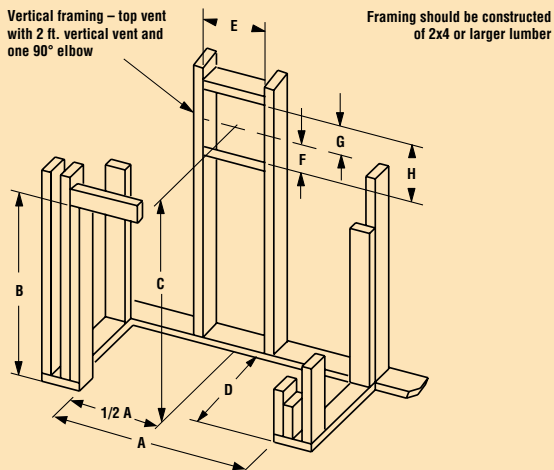
### INPUT RATES: BTU/HR.

MODEL	DESCRIPTION	VALVE TYPE	GAS	HIGH	LOW	P4
LSM40MN-2	Montebello 40	Millivolt	Natural	51,800	40,500	35%
LSM40MP-2	Montebello 40	Millivolt	Propane	51,600	40,200	38.1%
LSM40EN-2	Montebello 40	Electronic	Natural	51,800	40,500	35.8%
LSM45MN-2	Montebello 45	Millivolt	Natural	60,400	47,500	50.8%
LSM45MP-2	Montebello 45	Millivolt	Propane	56,300	44,200	42.3%
LSM45EN-2	Montebello 45	Electronic	Natural	60,400	47,500	51.2%

Millivolt models come standard with the manually modulated gas valve; flame appearance and heat output can be controlled at the gas valve.

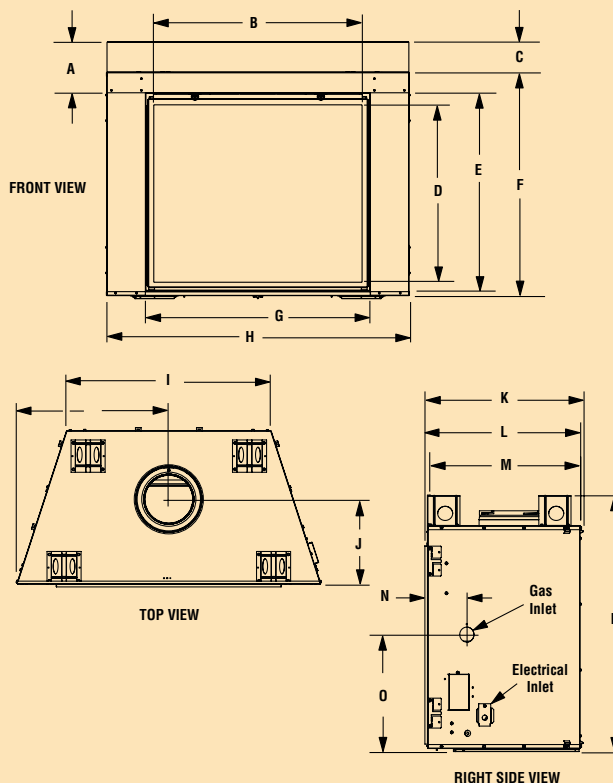
Electronic models have a manually modulated gas valve.

## MONTEBELLO® FLAT WALL FRAMING SPECIFICATIONS



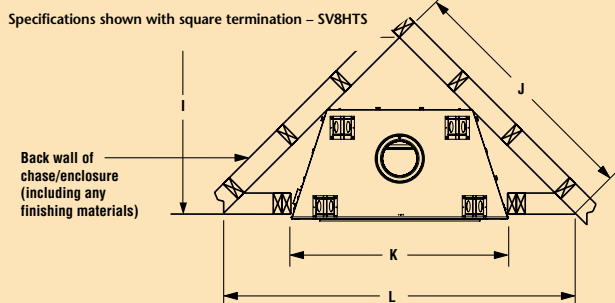
	LSM40-2	LSM45-2
<b>A</b>	50-3/4" (1289 mm)	56-7/8" (1445 mm)
<b>B</b>	43" (1092 mm)	48" (1219 mm)
<b>C</b>	75-1/8" (1908 mm)	80-1/16" (2034 mm)
<b>D</b>	25-1/4" (641 mm)	25-1/4" (641 mm)
<b>E</b>	13" (330 mm)	13" (330 mm)
<b>F</b>	6-1/2" (165 mm)	6-1/2" (165 mm)
<b>G</b>	8-1/2" (216 mm)	8-1/2" (216 mm)
<b>H</b>	15" (381 mm)	15" (381 mm)

## MONTEBELLO DIMENSIONS



	LSM40-2	LSM45-2
<b>A</b>	8-3/8" (213 mm)	8-3/8" (213 mm)
<b>B</b>	34-3/4" (833 mm)	40-59/64" (1039 mm)
<b>C</b>	5-3/32" (129 mm)	5-3/32" (129 mm)
<b>D</b>	29-9/32" (744 mm)	34-1/2" (876 mm)
<b>E</b>	33-3/32" (840 mm)	38-3/32" (968 mm)
<b>F</b>	37-1/4" (946 mm)	42-1/4" (1073 mm)
<b>G</b>	37-5/8" (956 mm)	43-5/8" (1108 mm)
<b>H</b>	50-5/8" (1286 mm)	56-11/16" (1440 mm)
<b>I</b>	34" (864 mm)	40-1/8" (1019 mm)
<b>J</b>	14-1/8" (359 mm)	14-1/8" (359 mm)
<b>K</b>	26-15/32" (672 mm)	26-15/32" (672 mm)
<b>L</b>	25-29/32" (658 mm)	25-29/32" (658 mm)
<b>M</b>	25-1/2" (648 mm)	25-1/2" (648 mm)
<b>N</b>	7" (178 mm)	7" (178 mm)
<b>O</b>	19-5/8" (498 mm)	19-5/8" (498 mm)
<b>P</b>	42-7/8" (1089 mm)	47-7/8" (1216 mm)

## MONTEBELLO CORNER FRAMING SPECIFICATIONS



	LSM40-2	LSM45-2
<b>I</b>	41-7/8" (1064 mm)	44-7/8" (1140 mm)
<b>J</b>	59-1/8" (1502 mm)	63-1/2" (1613 mm)
<b>K</b>	50-5/8" (1286 mm)	56-3/4" (1441 mm)
<b>L</b>	83-5/8" (2124 mm)	89-7/8" (2283 mm)

## PRODUCTS YOU CAN COUNT ON

Lennox is committed to providing you with high-quality products. A qualified dealer can help you find the right product to give you years of comfort and enjoyment.

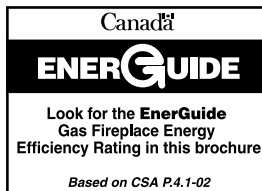
**On the cover:** **LSM40-2** shown with Red Herringbone ceramic brick fireplace liner, rustic oak logs and classic-style andirons.

**LENNOX**<sup>TM</sup>

**HEARTH PRODUCTS**

© Lennox Industries Inc. 2010

Visit us at [www.lennox.com](http://www.lennox.com), or contact us at 1-800-9-LENNOX.



### IMPORTANT NOTES:

As with any heating appliance, fireplace or stove, this appliance is extremely hot during operation. Read and understand all operating instructions before using this appliance. For further information, consult your dealer.

Local conditions, such as elevation, wind, vent configuration and choice of fuel will affect overall appearance of the fire and heating performance. Performance can also vary with home design and insulation, climate, condition and type of fuel used, appliance location, burn rate, accessories chosen, chimney installation and how the appliance is operated.

Diagrams, illustrations and photographs are not to scale—consult installation instructions. Product designs, materials, dimensions, specifications, colors and prices are subject to change or discontinuance without notice.

