



A clean-face design and generous fireplace dimensions exude elegance, displaying an exceptionally realistic fire with steady, comfortable warmth.

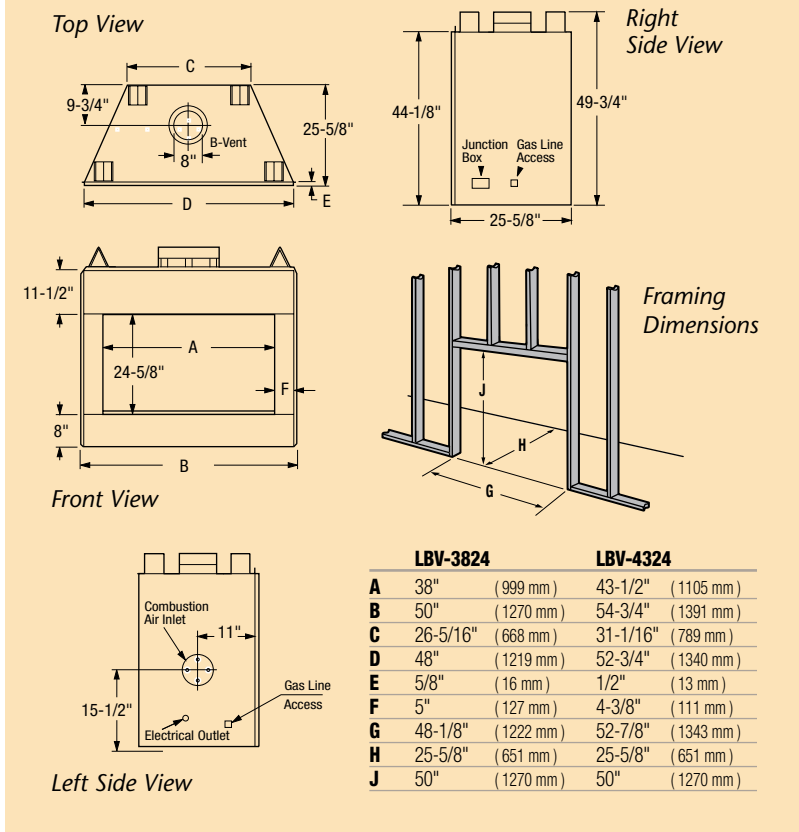
LENNOX

HEARTH PRODUCTS
Innovation never felt so good.™

ELITE™ SERIES

The LBV gas-burning, B-vent fireplace from Lennox features a beautiful clean-face design that offers an elegant custom-built appearance. With two large sizes and an incredibly realistic 50,000 BTU/hr log set, this exceptional fireplace provides great warmth and style with the convenience of a gas-burning fireplace. Choose from a variety of design and convenience options to complement your lifestyle and décor.

LBV-38/LBV-43 UNIT DIMENSIONS AND FRAMING DIMENSIONS

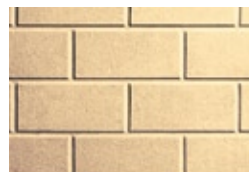


STANDARD FEATURES

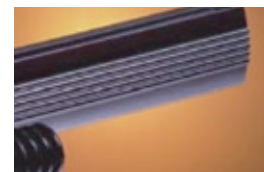
- 50,000 BTU/hr (LBV-4324); 45,000 BTU/hr (LBV-3824)
- Generous 24-5/8" tall screen opening with recessed screen pockets
- Charred oak-style log set with glowing ember bed
- Available in natural or propane gas models
- Millivolt standing pilot and intermittent electronic pilot models available
- Installation and venting are easy, thanks to 8" B-vent
- Ready for on/off wall switch or remote control
- Flex gas connector with shut-off valve
- Lennox 20-year limited warranty

OPTIONAL ACCESSORIES

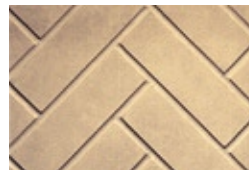
- Choice of black, brass or brushed stainless finish bi-fold glass doors
- Choice of traditional or herringbone brickade
- Pine cone and wood chip kit
- Decorative volcanic stone
- Outside combustion air kit
- Remote control with on/off switch



Traditional brickade



Black door finish



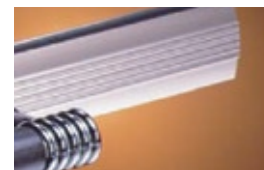
Herringbone brickade



Brass door finish



Remote control



Brushed stainless door finish

PRODUCTS YOU CAN COUNT ON

Lennox is committed to providing you with high-quality products. A qualified dealer can help you find the right product to give you years of comfort and enjoyment.



HEARTH PRODUCTS
Innovation never felt so good.™

© Lennox Industries Inc. 2007

Visit us at www.lennox.com, or contact us at 1-800-9-LENNOX.

IMPORTANT NOTES:

As with any heating appliance, fireplace or stove, this appliance is extremely hot during operation. Read and understand all operating instructions before using this appliance. For further information, consult your dealer.

Local conditions, such as elevation, wind, vent configuration and choice of fuel will affect overall appearance of the fire and heating performance. Performance can also vary with home design and insulation, climate, condition and type of fuel used, appliance location, burn rate, accessories chosen, chimney installation and how the appliance is operated.

Diagrams, illustrations and photographs are not to scale - consult installation instructions. Product designs, materials, dimensions, specifications, colors and prices are subject to change or discontinuance without notice.

