



DutchWest
Direct Vent Gas Stove



Modern convenience
meets the classic stove.

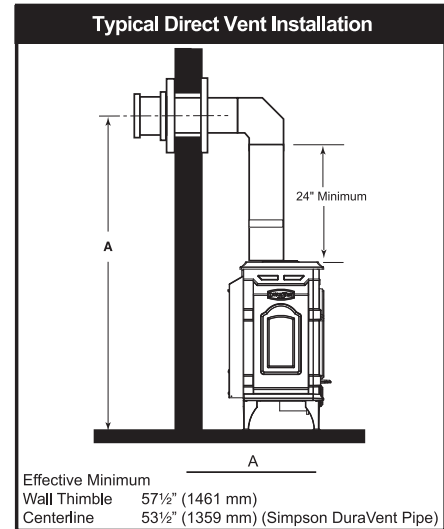
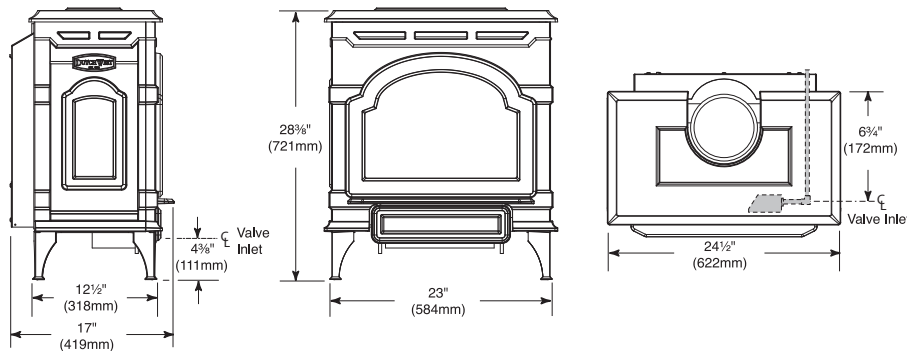
Dutchwest Direct Vent Gas Stove

Model 2465



The Perfect Addition to Any Room

This beautiful stove combines the elegance of a wood burning stove with the convenience of gas. The solid cast iron construction features our radiant ceramic burner system with a large glass viewing area allowing maximum viewing pleasure. It will add new warmth to any room in your home.



Features and Benefits

Dutchwest Advantages:

- All cast iron construction (firebox and shell)
- Insta-Flame radiant ceramic burner system provides vibrant flames and a glowing ember bed
- Large glass front flame viewing area
- Stove shipped as natural gas; LP Conversion kit included
- 4" side, rear and corner clearances to combustible
- Can be installed directly on rigid wood flooring

Standard Features:

- Classic black finish
- BTUs: 28,000 high to 21,000 low
- Room heater rated – 81% efficiency
- Ceramic glass front
- Realistic 'split oak' ceramic fiber log set
- Discreet access door conceals gas control system
- Weight: 238lbs.

Optional Accessories:

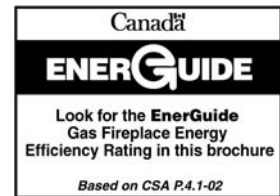
- FK26 fan
- Wall mounted thermostat
- Ambient Technologies™ Remote Controls and Thermostats

Specifications:

- EnerGuide efficiency rating: 61.3%
- Steady state efficiency rating: 81%
- AFUE by D.O.E. efficiency: 71%

Venting:

- Uses MHSC Direct Vent or equivalent



A Brand of Monessen Hearth Systems Co.
149 Cleveland Drive, Paris, Kentucky 40361
www.vermontcastings.com

To avoid personal injury or property damage, the product described by this brochure must be installed, operated and maintained in strict compliance with the instructions packaged with the product and all applicable building or fire codes. Contact local building or fire officials about restrictions and installation inspection requirements. All photographs and drawings on this brochure are for illustrative purposes only and are not intended for, nor should they be used as a substitute for the instructions packaged with the unit. Appearance and specifications of the product are subject to change without notice. © 2009 Monessen Hearth Systems Co.

YOUR DUTCHWEST DEALER