



LEYDEN™ TOP LOADING CAST IRON PELLET STOVE



THE GREEN ALTERNATIVE TO HOME HEATING



NEW IRON PAINT FINISH

LOVE LIFE AND LIVE LARGE WITH PELLET FUEL



It's not just something we say, we believe it! So much that we inscribed the phrase in our latest pellet stove design. Life should be enjoyed and lived to the fullest. That's why we created the Leyden™ (LYE-den), the most beautiful pellet stove we've ever made. The Leyden Pellet stove has the highest heating efficiency in a medium-sized stove on the market to heat better than ever before. The design gives you a smaller footprint to take up less living space. You get big stove performance in a medium sized stove. The ash removal system is the most convenient to date with our slide out ash pan on drawer glides. All these features let you spend more time enjoying living in your home instead of heating it. The Leyden is just one more reason Lopi is America's Favorite Fire!



LEYDEN™ CAST IRON PELLET STOVE



OXFORD BROWN ENAMEL

LEYDEN PELLET FEATURES

- State-of-the-art computerized control board
- Heavy-duty jam-free auger
- Stainless steel multi-fuel burnpot
- 12 convection air tubes for maximum heat transfer
- Quiet, 165 CFM convection fan
- Easy access firebox for cleaning
- Standard wall thermostat for longer burn times
- Steel unibody construction in a cast iron shell
- Backed by Lopi's "Real World Seven" Year Warranty

LEYDEN PELLET OPTIONS



Ceramic logset gives the flames a real wood fire look



Remote Control Thermostat allows the ultimate in hands-free operation



"We try to add a sense of fun to everything we do here at Lopi. I love what I do, and try to remember to live life fully each day. I cast the message Love Life, Live Large in the lid because I wanted to remind others in a small way to do the same in their daily life, each time they load pellets into their Leyden stove."

*Kurt W. F. Rumens
President, Travis Industries*

Hopper Capacity	Heating Capacity*	Btu Range*	Max Burn Times*	Burn Feed Rate Per Hour	Glass Area	Flue Size
50 Pounds	800 to 2,250 Square Feet	Low - 13,940 High - 45,100	9 Hrs. on High 29 Hrs. on Low	5.5 lbs. on High 1.7 lbs. on Low	249 Sq. In.	4"

* Heating Capacity may vary depending on the degree of home insulation, floor plan, ambient temperature zone of the area in which you live. Contact your local building officials about installation requirements in your area. Burn Time and Btu Range will vary with brand and size of pellets.



TOP LOAD CONVENIENCE

Leyden Pellet stoves are a breeze to fill. Simply lift the easy-to open lid and pour in the pellets. The Leyden holds an amazing 50 lbs. of pellets - more than one full bag. This is 20% more than other medium sized pellet stoves, and it burns up to 29 hours without refueling - which can be increased using the wall thermostat!



EASY-GLIDE ASH DRAWER

Our user-friendly ash drawer has the most sophisticated engineering you can buy. Once you unlatch the ash drawer it smoothly glides out on ball bearings. It also has a built-in handle for easy lifting so you can quickly and conveniently empty the ashes.



VERSATILE FUEL MIXING

The Leyden accepts up to a 50/50 mix of feed corn and pellets. Using biomass fuel may reduce heating costs. And the Leyden technology let's you use lower grade pellets or high ash content pellets without compromising performance.



HIGH EFFICIENCY PERFORMANCE

Lopi has over 18 years of experience as an industry leader in pellet stove design. The Leyden features the most advanced heat exchange system Lopi has ever engineered. The quiet 165 CFM fan transfers heat from three convective surfaces within the stove. The heated air is then transferred through 12 heat exchange tubes positioned to get the most heat possible out of the stove and into your home. Even though the Leyden is medium in size, it's a powerhouse when it comes to heating

AUTOMATIC OPERATION

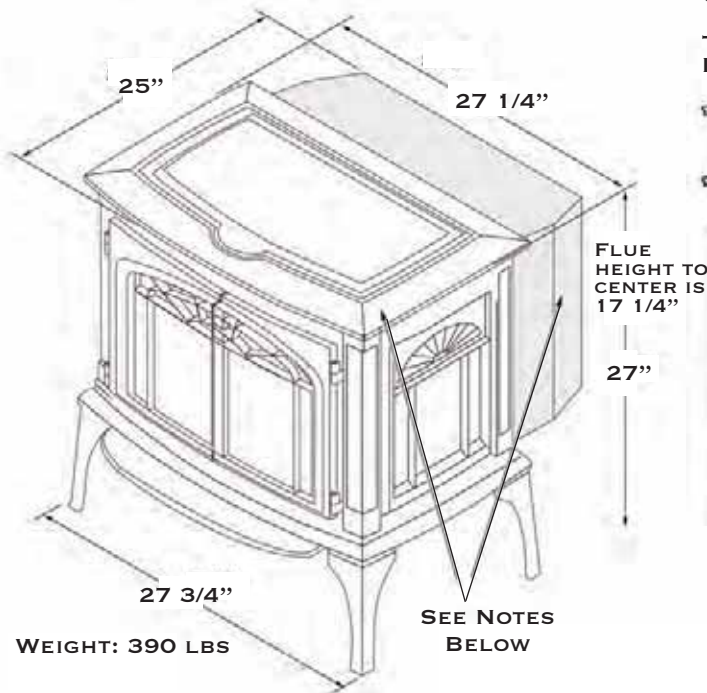
You can operate your pellet appliance manually or automatically. Use the standard wall thermostat or optional remote control thermostat for complete hands-free operation. Simply set the thermostat to the desired temperature and the pellet stove will do the rest. If you choose to operate your pellet appliance manually, simply set the feed rates and push the start button to activate the auto igniter. Within minutes your pellet appliance is in full operation.





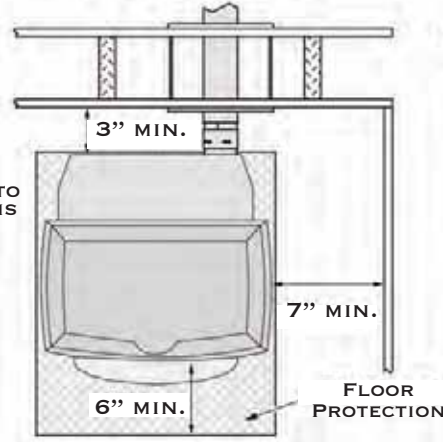
LEYDEN™ CAST IRON PELLET STOVE

DIMENSIONS

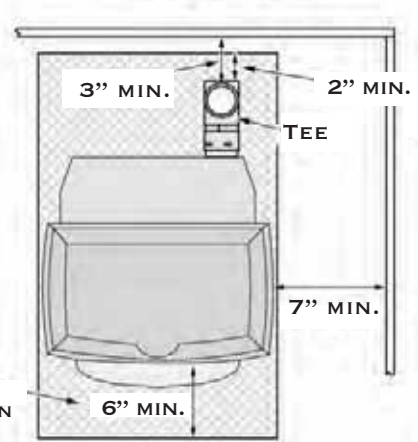


CLOSE CLEARANCES TO COMBUSTIBLES

THROUGH THE WALL
INSTALLATIONS

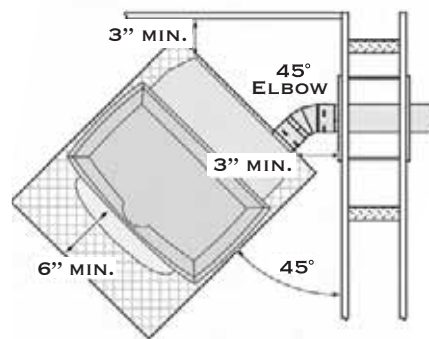


INTERIOR VERTICAL VENT
INSTALLATIONS

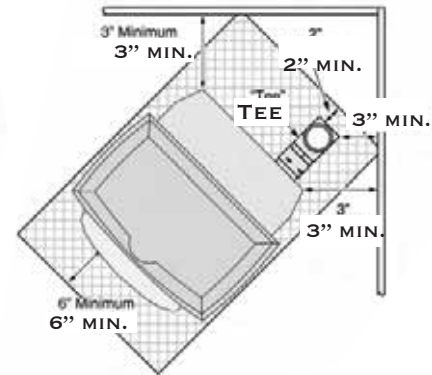


ALCOVE CLEARANCES

THROUGH THE WALL
INSTALLATIONS



INTERIOR VERTICAL VENT
INSTALLATIONS



Note: Measure front and side clearances from the stove top. Rear and corner clearances are measured from the stove body.

TESTING

The Lopi Leyden pellet stove is safety tested and listed by Omni-Test Laboratories, Inc. to ASTM E-1509 1996 and ULCC 1482.

The Lopi Leyden pellet stove has been tested and Listed for use in manufactured homes in accordance with the Oregon Administrative Rules 814-23-900.

Note: Improper installation of your pellet appliance or failure to operate it in accordance to the guidelines detailed in the Owner's Manual may negate your warranty. We recommend all Lopi pellet appliances be installed and maintained on an annual basis by your Lopi specialty hearth retailer.

Note: If interior vertical pellet vent is used, the clearance to the backwall is determined by the upward-turning elbow or "Tee". It will vary in depth depending on the brand of pellet vent used (its is approximately 5"). Before placing the heater, connect the elbow or "Tee" and measure off the 3" clearance.

Your Lopi Authorized Dealer is Located At:



Visit our Website at: www.lopifire.com

© Copyright T. I. 2008 Printed in U.S.A.
Photos and illustrations are for descriptive purposes only.