

MODEL 31 AND 33 DVI GAS FIREPLACE INSERTS





Shown with Universal face, traditional logset and common brick fireback options.

GREAT FEATURES AT AN AFFORDABLE PRICE

Introducing our new DVI series of gas inserts. These gas inserts represent a new direction in gas heating that offers you a "top-quality" gas fireplace insert at an affordable price.

MODEL 31 AND 33 DVI GAS FIREPLACE INSERTS



The DVI series is all about flexibility: a big, beautiful, brightly glowing fire and a simplified operating system, while offering the same construction and glass viewing area as the top selling Lopi Model DVS GreenSmart and Model DVL GreenSmart gas inserts. Both DVI inserts feature the split-flow Dancing-Fyre™ burner with your choice of hand-crafted logs and glowing embers or stone kit with tumbled glass floor. The IPI (electronic ignition) gas valve provides a great fire presentation and a “green” money saving solution to home heating. For convenient hands free operation you can also add an optional wall thermostat or remote control thermostat.

FEATURES

- Dancing-Fyre Burner with the option of realistic logs with glowing red embers and wood-like fire or the stone kit with three colors of tumbled glass floor - reflective platinum, reflective bronze or cobalt blue, for a completely different fire presentation.
- Easy Heat/Flame Adjustment with a large high-to-low flame turndown ratio.
- Comfort Control™ that allows you to turn off the rear burner for less heat when desired or for year-round enjoyment of the fire.
- Built-in battery backup allows continued operation of your gas insert during power outages. Automatically switches back to AC when the power comes back on.
- Both DVI inserts are heater rated and can be used as the primary heat source in your home.
- LED lights automatically light up the control panel when you lower the control door. Powered by a 9 volt battery, this feature operates even during power outages.
- Choice of pilot ignition modes - money saving IPI Electronic Ignition mode for instant fire when you need it or Standing Pilot for colder climates where a heated chimney is needed to maintain the draft for proper operation.
- Approved for installation into both zero clearance (metal) and masonry fireplaces.
- Optional 180 CFM Convection Blower will increase the efficiency and rate of heat transfer from the insert into your home. The blower cannot be added after insert is installed.
- LP Conversion kit included with insert at no additional cost.

CONTROL PANEL

Note: For convenience, the Main Burner switch can be located on top right side of the finish panel.



**OPTIONAL
BLOWER
CONTROL**

**FLAME
ADJUSTMENT
CONTROL**

**PILOT CHOICE
SWITCH**

**COMFORT
CONTROL
SWITCH**

**BATTERY
BACK-UP**

**MAIN BURNER
SWITCH
(PLACED HERE
WHEN USED WITH
INSIDE FIT PANELS)**



FACE OPTIONS

All faces are shown with the Traditional logs and ember set.

COMPLETE FACE/PANEL These faces do not require Finish Panels.

UNIVERSAL



- 31 DVI Small: 23" H x 37" W
SKU: 95100050
- 31 DVI Large: 29" H x 40" W
SKU: 95100051
- 33 DVI Small: 27" H x 40" W
SKU: 95100055
- 33 DVI Large: 33 1/2" H x 44" W
SKU: 95100056

INDEPENDENCE™ DOUBLE DOOR



- 31 DVI
29" H x 40 3/8" W
SKU: 95100327
- 33 DVI
33 1/2" H x 44" W
SKU: 95100628

FACES These faces may require Finish Panels to complete. See Finish Panels on next page.

DISCOVERY™



Black Door Frame (Standard)
31 DVI - SKU: 99300464
33 DVI - SKU: 99300468



Antique Gold Door Frame option
31 DVI - SKU: 99300440
33 DVI - SKU: 99300441



Antique Pewter Door Frame option
31 DVI - SKU: 99300442
33 DVI - SKU: 99300443

Dimensions

- 31 DVI
29" H x 40 3/8" W
- 33 DVI
33 1/2" H x 44" W

WILMINGTON™



Black Paint Finish
31 DVI - SKU: 99500146
33 DVI - SKU: 99500200



Brushed Nickel
31 DVI - SKU: 99500148
33 DVI - SKU: 99500201

Dimensions

- 31 DVI
29" H x 40 3/8" W
- 33 DVI
33 1/2" H x 44" W



Black Painted Wilmington Face
with Brushed Nickel Plated
Arabesque Grill



Brushed Nickel Wilmington Face
with Brushed Nickel Plated
Arabesque Grill

Brushed Nickel Arabesque Grill option

A brushed nickel plated Arabesque Grill set is available to change the look of the Wilmington face.

Switch the standard vertical grills which ship with the face and the optional Arabesque grills any time you'd like for different looks depending on your mood.

- 31 DVI - SKU: 91002185
- 33 DVI - SKU: 91002190



FINISH OPTIONS

CHOOSE FROM LOGSET OR STONES

Easily transform the overall look and appearance allowing the insert to fit a wide range of architectural styles.

The Stone kit comes with tumbled glass media floor in three colors platinum, bronze or cobalt blue.

The Traditional log set comes with glowing embers and beautifully detailed logs.



Stone Kit with Glass Media



Traditional Log Set

ADD THE REVERSIBLE BRICK OR STAINLESS STEEL FIREBACK

Both DVI inserts ship with a painted black interior or you have the option of adding a realistic ceramic brick fireback that looks like real masonry brick. The fireback is reversible and offers you the choice of Common Brick and Herringbone Brick patterns. For a more contemporary look, add the stainless steel liner to add a new dimension of depth to your insert.



Common Straight Brick Pattern



Herringbone Brick Pattern



Stainless Steel

REMOTE CONTROL

Adding a remote provides for the ultimate in easy operation of your fireplace insert. The remote offers ON/OFF and thermostat setting. This remote control also offers a clock, fireplace timer to turn off your insert and a child-proof lockout.



WALL THERMOSTAT

The wall thermostat provides the ability to set the desired temperature that you would like for the room. The fireplace will cycle on and off to maintain your set temperature. It can be wired up to 25 feet away from the appliance and allows for easy hands-free convenience.



CONVECTION FAN

This 180 CFM fan enhances and speeds up the natural heat transfer around the insert and directs it back into your home. The fan must be installed at the same time of installation to avoid additional installation cost later.

INSERT WIRING KIT

If you do not want to run a power cord across your hearth when using the optional fan or remote, use optional wiring kit to hard-wire your AC power from inside the fireplace.

FINISH PANELS

To complete the picture after the insert is installed in your fireplace, a set of panels are attached to the insert to accommodate the size variance between the insert face and the size of your existing fireplace opening. Arched panels are also available.

Designed to overlap the existing fireplace opening, these panels can also be cut down to fit inside of the fireplace.



31 DVI Panels

- 4" x 6" Panels = 37 1/8" W x 25" H
- 8" x 10" Panels = 40 3/8" W x 28 7/8" H
- 10" x 13" Panels = 44 3/8" W x 31 7/8" H

33 DVI Panels

- 4" x 6" Panels = 40" W x 29" H
- 8" x 10" Panels = 44 3/16" W x 33 3/8" H
- 10" x 13" Panels = 48 3/16" W x 36 3/8" H



31 DVI GAS INSERT SPECIFICATIONS AND INSTALLATION

Heating Capacity:* 500-1,500 Sq. Ft. - ideal for smaller homes or zone heating a portion of your home

Maximum BTU/HR Input:** 31,000 (NG/LP) **Minimum BTU/HR Input:**** 10,700 (NG) 12,600 (LP)

Efficiency:** Up to 71.8% (NG) 72.6% (LP)

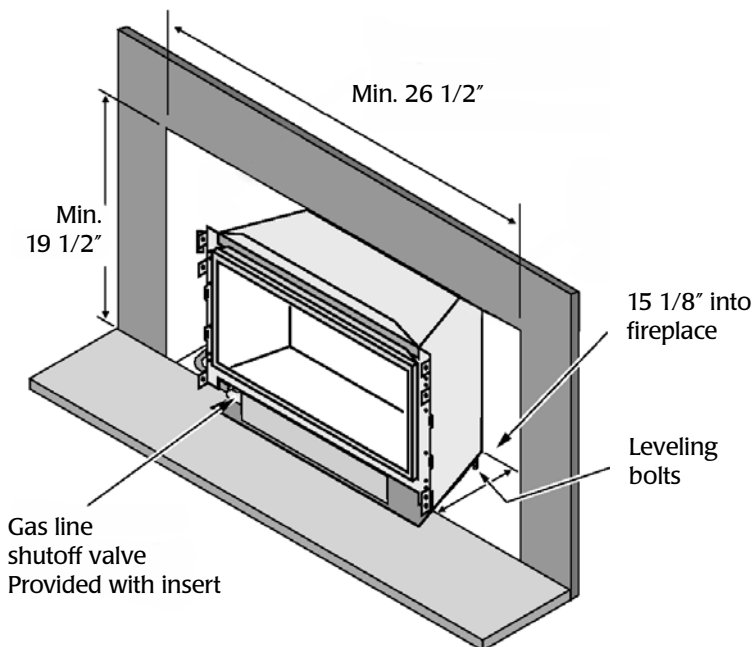
Dimensions: Height = 19 1/2" Width = 26 1/2" (Front), 18" (Back) Depth = 15 1/8"

* Heating Capacity will vary with floor plan, insulation, and outside temperature.

** Efficiency rating is a product of thermal efficiency determined under continuous operation independent of installed system.

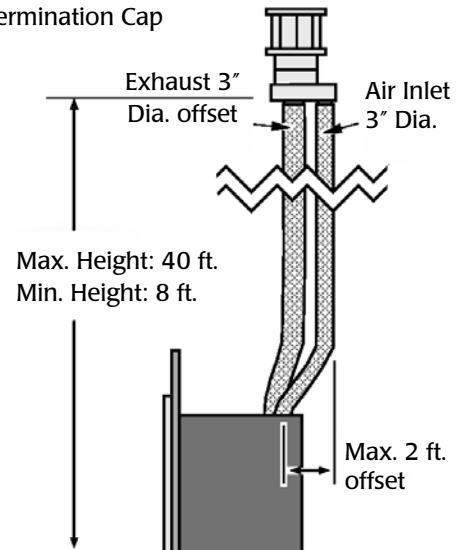
FIREPLACE REQUIREMENTS:

Insert must be placed within a code-conforming masonry or tested and listed factory-built (metal) wood burning fireplace.



VENTING REQUIREMENTS:

- Requires UL listed (441 or 1775) Gas Liner for exhaust and air inlet.
- Simpson Duravent 6 5/8" to 3" & 3" Co-linear Adapter and flashing
- Simpson Duravent High-Wind Vertical Termination Cap



MINIMUM CLEARANCES:

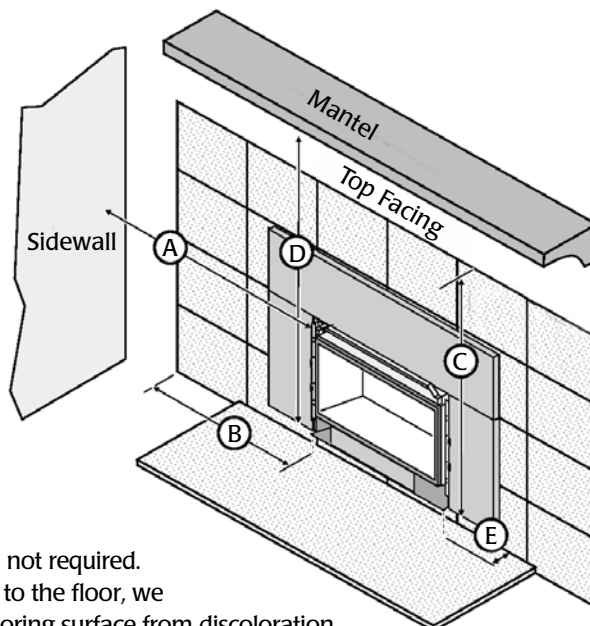
- Sidewall to insert: A = 4 1/2"
 - Side facing: B = 4 1/2"
 - Top facing: C = 35"
 - Mantel: D = 35"
 - Extension on Hearth E = 1 1/4"
- *Measured from the base of the insert.

MANTEL & TOP FACE CLEARANCE:

- Maximum Mantel Depth is 12"
- Maximum Top Facing Depth is 3/4"
- (otherwise considered a Mantel)

HEARTH REQUIREMENTS:

A non-combustible hearth extension is not required. However, if the heater is installed next to the floor, we recommend a hearth to protect the flooring surface from discoloration.



LISTINGS:

This appliance was listed by OMNI Test Labs to ANSI Z21.88 - report # 028-F-73-5. The listing label is attached to the appliance near the gas control valve.

IAS (ICBO) APPROVAL

This appliance was listed by OMNI Test Labs - IAS # TL130.

MASSACHUSETTS APPROVAL

Submitted to the Massachusetts Board of State Examiners of Plumbers and Gas Fitters

33 DVI GAS INSERT SPECIFICATIONS AND INSTALLATION



Heating Capacity:* 600 to 2,000† Sq. Ft. (†with optional fan)

Maximum BTU/HR Input:** 40,000 (NG/LP) **Minimum BTU/HR Input:**** 11,900 (NG) - 7,400 (LP)

Steady State Efficiency:** Up to 84% (NG) - 86% (LP)

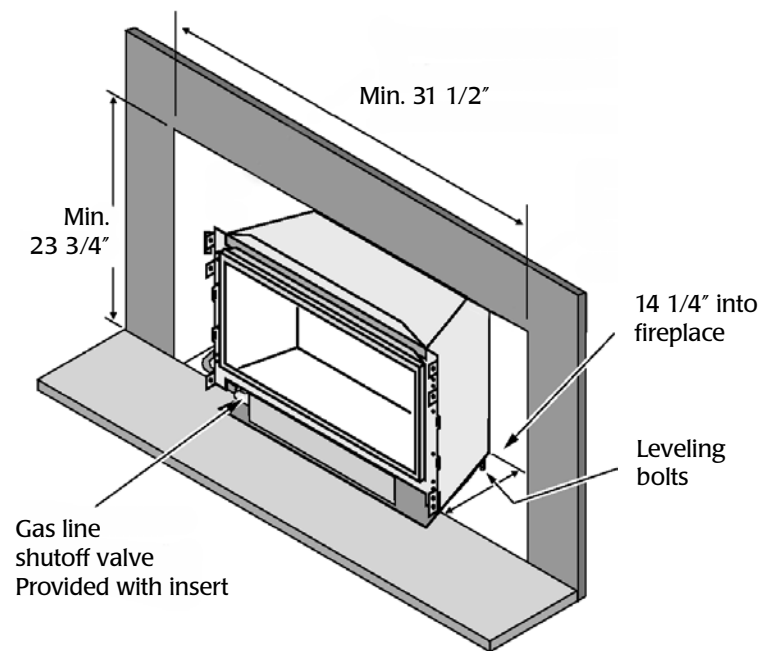
Dimensions: Height = 23 3/4" Width = 31 1/2" (Front), 20" (Back) Depth = 14 1/2"

* Heating Capacity will vary with floor plan, insulation, and outside temperature.

** Efficiency rating is a product of thermal efficiency determined under continuous operation independent of installed system.

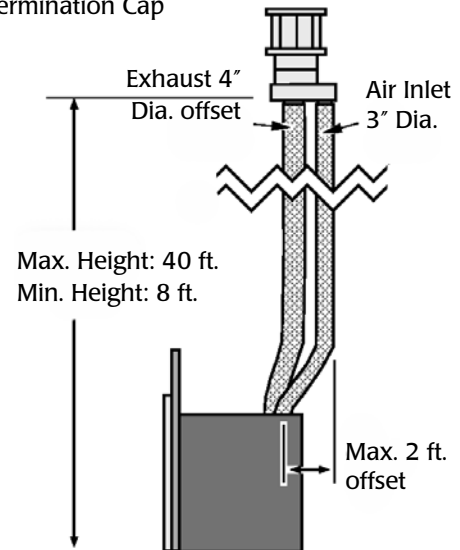
FIREPLACE REQUIREMENTS:

Insert must be placed within a code-conforming masonry or tested and listed factory-built (metal) wood burning fireplace.



VENTING REQUIREMENTS:

- Requires UL listed (441 or 1775) Gas Liner for exhaust and air inlet.
- Simpson DuraVent 6 5/8" to 3" 8 4" Co-linear Adapter and flashing
- Simpson DuraVent High-Wind Vertical Termination Cap



MINIMUM CLEARANCES:

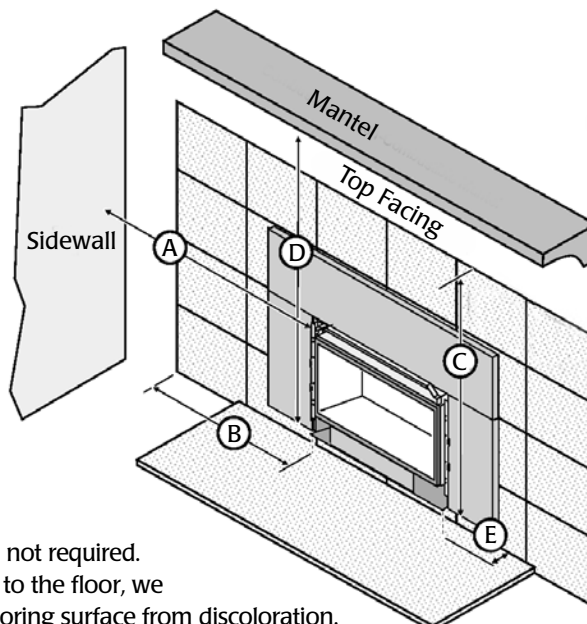
- Sidewall to insert: A = 4"
 - Side facing: B = 4"
 - Top facing: C = 35 1/2"
 - Mantel: D = 35 1/2"
 - Extension on Hearth E = 1 1/4"
- *Measured from the base of the insert.

MANTEL & TOP FACE CLEARANCE:

Maximum Mantel Depth is 12"
Maximum Top Facing Depth is 3/4"
(otherwise considered a Mantel)

HEARTH REQUIREMENTS:

A non-combustible hearth extension is not required. However, if the heater is installed next to the floor, we recommend a hearth to protect the flooring surface from discoloration.



LISTINGS:

This appliance was listed by OMNI Test Labs to ANSI Z21.88 - report # 028-F-72c-5. The listing label is attached to the appliance near the gas control valve.

IAS (ICBO) APPROVAL

This appliance was listed by OMNI Test Labs - IAS # TL130.

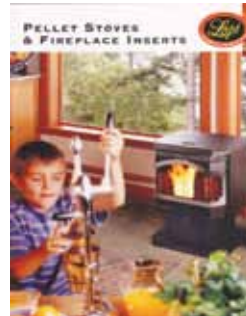
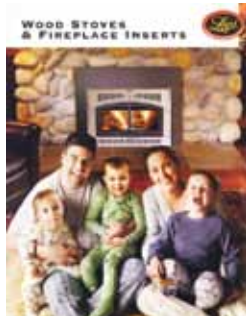
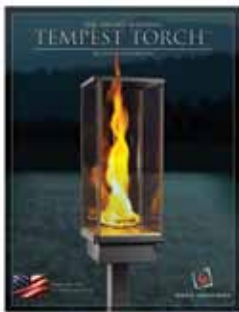
MASSACHUSETTS APPROVAL

Submitted to the Massachusetts Board of State Examiners of Plumbers and Gas Fitters



Only the most professional specialty hearth retailers are selected to sell Lopi stoves, inserts and fireplaces. They represent our total commitment to exceptional products and excellent service. In addition, they have successfully completed special training programs in the proper selection, installation and service of all Lopi products.

Your professional Lopi hearth dealers are experts who can advise you on everything from customizing the color of your appliance to selecting appropriate venting and chimney materials. They can show you Lopi models on display, including working models actually burning.



Lopi produces a wide variety of quality wood, pellet, gas and electric hearth products and the award winning Tempest Torch outdoor and table top gas lamp. Ask your Lopi dealer for details.

Find your favorite fire today by visiting www.lopistoves.com



Lopi products are made in the U.S.A. with pride.

Your Authorized Lopi Dealer Is Located At:



Photos and illustrations are for descriptive purposes only. We reserve the right to improve or change our products without prior notification. Dancing-Fyre™ and all other trademarks belong to Travis Industries, inc. Consult the Owner's Manual for complete installation requirements.