

GreenSmart™ Gas Fireplaces



fireplace**xt**ordinair™

Imagine A Fireplace For Every Room

A home is a combination of dreams and choices, each a reflection of you. From the most intimate engraved details on a fireplace face to the grandest of fires, our fireplaces bring a sense of peace and tranquility to your home.



Fireplace Xtordinaire proudly produces our high-quality line of gas fireplaces that compliment a broad range of architectural styles and heating needs at our manufacturing plant in Mukilteo Washington. We use the finest materials, and subject them to vigorous testing standards to make fireplaces that stand up to the rigors of time. These products are the best money can buy.

We are passionate about both the science and the art of fire.

Browse, study, dream, and let us help you transform a room into a gathering place in your home. Let us help you "Rediscover Fire"!

Technology

Our history is one of innovation. Our designs have earned a "Best Buy" endorsement from Consumer Digest® magazine. Our Ember-Fyre™ gas burner technology used on several of our fireplaces was selected by Popular Science® magazine "Best of What's New" as "One of the Year's Top 100 Innovations in science and technology." Become mesmerized by our award-winning gas flames that are so stunning, they can be easily confused with a wood fire.

All our gas fireplaces are certified as "Heater Rated". Many of our models can be used as the primary heat source in your home. All of our fireplaces can be used for "Zonal Heating". This allows you to economically heat only the rooms you use and can greatly reduce your heating cost!

Heat, Even When The Power Goes Out

Our GreenSmart fireplaces are equipped with a battery back-up system to power the electronic ignition. This system will ensure continued use and enjoyment of your fireplace - even if the power goes out.



What is GREEN SMART™

The patent-pending GreenSmart™ System is the most innovative collection of components, controls and technology that when combined provide an elegant, smarter and greener way to heat your home. Innovative features include: accent lights, flame adjustments and a choice of pilots are standard. An optional GreenSmart remote allows you to run the fireplace in “Smart Thermostat Mode” that automatically adjusts the heat output based on the temperature setting – so the flame will modulate up/down as opposed to shutting off/on like normal thermostats. This conserves fuel and maximizes heating ability while extending the viewing pleasure of the fire.

1. Basic GreenSmart Control System

This dashboard is located under the front of the appliance and is operated manually. It has five components:



1. Optional Convection Blower Manual Rheostat Control.
2. Accent Light Manual Control - For ON/OFF and brightness adjustment.
3. Variable Flame Control: Adjusts flame and heat up and down.
4. Two Position Pilot Selection: Push up for continuous pilot and down for GreenSmart Pilot.
5. Comfort Control Module Includes:
 - Comfort Control: This ON/OFF rocker switch electronically turns the rear portion of the burner on/off.
 - Battery Back-Up: Allows you to operate the burner during power outages.
 - Main Burner Switch: This switch turns the burner on/off.

2. Glide-Away™ or Drop Down Concealment Door

The control valve and wires are hidden by our new concealment door to provide an elegant, more finished appearance. The concealment door conveniently opens and closes for easy access to the controls.

On some models, the control area is hidden by a concealment door that lifts up and glides away. On other models it drops-down for easy access if control adjustments are desired.



Glide-Away Closed



Glide-Away Open

3. Highly Visible Dashboard

The GreenSmart basic controls of the unit are located on a black dashboard behind the concealment door.

All controls are clearly labeled with white silk-screened lettering for easy reading.



4. Control Panel Lighting

When the concealment door is opened, control panel lighting is automatically turned on to make viewing controls on the dashboard easy even in a low light environment in the home.

5. Choice of Pilots

Continuous Pilot or GreenSmart Pilot:



This switch allows you to run your fireplace in either standing pilot mode - where the pilot flame continually stays on, ideal during periods of extreme cold when a draft is needed for safe, reliable operation - or for maximum efficiency use the GreenSmart mode, where the pilot flame ignites via an intermittent pilot (IPI) spark that does not run continually and thus conserves energy when the fireplace is not being operated. The GreenSmart system includes a battery back-up, ensuring proper ignition even during power outages.

GreenSmart Fuel and Cost Savings

Example: A standing pilot fireplace uses .552 therms of gas each day. The average therm of natural gas is \$1.10, or \$0.60 to run every day - no matter if the fireplace is on or off. 365 days of standing pilot usage equates to 201 therms of gas or \$219. Propane can run up to three times this cost.

The GreenSmart System helps you save on both energy usage and your heating bill.

6. Comfort Control™ Features:

With the push of a button your Comfort Control will turn off the rear burner while leaving the front burner on for an attractive flame appearance when heat output is not the priority. This feature delivers a turn-down ratio of up to 72 percent! It works with the Green-Smart split-flow burners, and offers a more efficient way to heat the room by only burning the correct amount of fuel to keep a constant temperature; so this is another smarter, greener way to enjoy fire in the home.



Low Burn



High Burn

7. Accent Lights

Accent Lights are a standard feature in all GreenSmart fireplaces. Lights adds a warm glow to both the logs and optional ceramic or stainless steel fireback and can be used when the fire is on or off. Perfect as a nightlight or soft indirect light for the room, the Accent Light allows visual enhancement of your fireplace 365 days a year.



Shown as base model without face

8. GreenSmart Split-Flow Burners

We make gas fireplaces in several sizes for different heating needs. Your fireplace will be equipped with either the Dancing-Fyre or the Ember-Fyre burner. Both burners come with high detailed logs and are designed to provide incredibly realistic “wood-like” fire.



Dancing-Fyre™ Split-Flow Burner:

The Dancing-Fyre™ is found in our 564 SS, 864 TRV and 864 ST gas fireplaces and features a split-flow steel burner. The front and rear burners can be operated together for maximum heat output and flame appearance or with only the front burner for a impressive turn-down ratio. This flexibility allows for a continual flame appearance when lower heat output is needed and provides a smarter, greener way to heat the home.



Ember-Fyre™ Split-Flow Burner:

The award-winning Ember-Fyre™ gas burner technology is found in our 21 TRV gas fireplace. The Ember-Fyre is known for its gorgeous, yellow-flame fire with flickering embers – it is a split-flow ceramic burner where the front and rear burners can be operated together for maximum heat output and flame appearance; or with only the main burner for a impressive turn-down and heating range. This elite burner is the ideal choice for ultimate GreenSmart performance.

Upgrade To The GreenSmart Remote Control System:

This upgrade option allows you the ease of controlling your GreenSmart system from the hand-held GreenSmart remote. All basic features are controlled via the hand-held remote control, which includes thermostat function, manual control of the flame, both front and rear burner adjustment, convection fan and accent light control along with the “Smart” Thermostat feature.

• Standard Thermostat Mode Controls:

- Fire ON/OFF and heat/flame height adjustment
- Fan ON/OFF and speed adjustment
- Accent Light ON/OFF
- Split-Flow Burner ON/OFF
- Thermostat Control Setting
- “Smart Mode” ON/OFF

• “Smart” Thermostat Mode:

When using the remote in “Smart” mode your fireplace will automatically adjust the heat output and flame height based on the temperature you selected on the thermostat setting. The flame will not shut off, but will modulate from low to high, or high to low until the set temperature is reached, thus conserving fuel and maximizing heating ability to extend the viewing pleasure of the fire. The “Smart” mode also keeps the flame and blower operation closer in sync. When the desired room temperature is reached the flame will turn off. Since the fireplace has gradually decreased the fire and internal firebox temperature your convection fan will now run for a shorter period of time after the fire has gone off which will save energy.



Hand-Held
Remote

Pre-Manufactured Installation Systems

Now it is easy to choose a fireplace system, and it can be installed in an afternoon. Fireplace Xtrordinair, Hearth Classics™, J. C. Huffman™ and Grand Mantel™ have joined together to provide a one-stop solution. You select from the highest-quality gas fireplaces, tile or stone hearth products, and custom wood mantels -- all designed to work in perfect harmony. No need to search for craftsmen or finish carpenters.



- A** Select the Fireplace Xtrordinair fireplace model best suited for your application.
- B** Choose your tile surround and hearth (There are many selections available. Ask your dealer for details).
- C** Choose your mantel. There are many selections available.
Consider one of the fine mantels built by:
J. C. Huffman Cabinet Co.
www.jchuffman.com
Hearth Classics
www.hearthclassics.com
Grand Mantel
www.grandmantel.com
Ask your dealer for details.
- D** Choose from our large selection of Fireplace Xtrordinair faces.



Bed & Breakfast Cabinets

Install your Bed & Breakfast fireplace in a pre-built cabinet. Our dealers offer a wide variety of styles and finishes to compliment your home decor. This cabinet allows for quick and easy installation of your fireplace in any room with virtually no remodeling.



Extra Room Power Heat Duct Kit Option

This venting option takes heat off of the fireplace and delivers it to additional heat zones within your home. This allows you to heat more of your home more quickly. At

the time of framing determine where you want to direct the heated air - upstairs, downstairs or anywhere in your home within 20 feet of the fireplace. You have the option of adding one Power Heat Duct Kit on the 864TRV and 864 ST. The Bed & Breakfast and 564 Space Saver do not have the option of adding the Extra Room Power Heat Duct Kit.



BATHROOM



BEDROOM

This brochure is divided into three sections.

Section One

Outlines all the beautiful face designs available for your Fireplace Xtrordinair gas fireplace. Picture the irresistible appeal of fire, framed in unique and rich metalwork that includes finishes such as hand-hammered copper or nickel, in a variety of architectural styles.

Section Two

Choose the fireplace or fireplaces to make your vision happen. Our gas fireplaces are available in four models with different performance capacities to meet virtually every heating need.

Section Three

Determine how you would like to install a fireplace. Almost all of our fireplaces provide for horizontal or vertical venting through the outside wall or ceiling, allowing you to install your fireplace virtually anywhere in your home. All fireplaces include easy to convert LP (Propane) conversion kits at no additional cost.



All Fireplace Xtrordinair gas burning fireplaces use a direct vent chimney system to ensure indoor air quality. Direct-vent gas fireplaces use the air from outside the home for combustion, and exhaust 100 percent of the combustion by-products (such as moisture, carbon monoxide and nitrous oxide) safely outside the home. As a result your home's indoor air quality stays safe and clean!

Fireplace Xtrordinair Models:

Model 21 TRV (Bed & Breakfast) GreenSmart™

Heats up to 650 sq. ft.

BTU Input on High Delivers 16,500 Btus/hr.

Overall Efficiency of 82.2% (NG)

Model 564 SS (Space Saver) GreenSmart™

Heats up to 950 sq. ft.

BTU Input on High Delivers 20,500 Btus/hr.

Overall Efficiency of 76.5% (NG)

Model 864 TRV (Top/Rear Vent) GreenSmart™

Heats up to 1,400 sq. ft.

BTU Input on High Delivers 31,000 Btus/hr.

Overall Efficiency of 80% (NG)

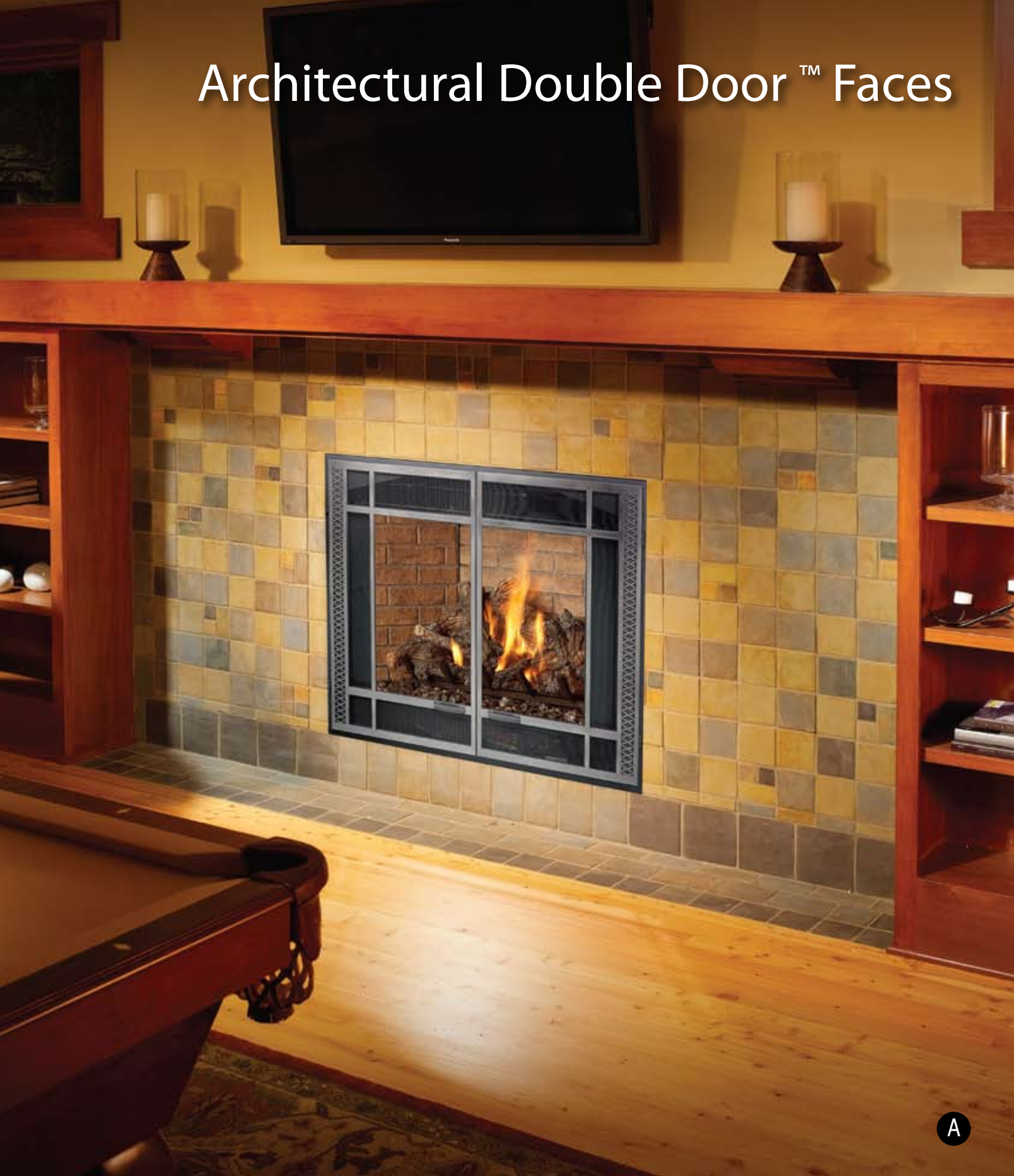
Model 864 ST (See Thru) GreenSmart™

Heats up to 1,500 sq. ft.

BTU Input on High Delivers 37,500 Btus/hr.

Overall Efficiency of 76.4% (NG)

Architectural Double Door™ Faces



A

Architectural™ Double Door Faces

A The rec room on the left features the 864 TRV GS with Rectangular Double Door and optional antique nickel Artisan™ onlay and includes the optional common brick fireback.

The ARCHITECTURAL™ doors offer an elegant collection of rectangular and arched black painted double doors for the 564 SS, 864 TRV and 864 See-Thru fireplaces. These beautiful doors, which can be opened, create the illusion of a much larger fireplace.

The Architectural Door Collection gives you the ability to add richly plated onlays to the basic black, double doors. Onlays are available in three distinct designs, each with their own unique, hand-rubbed antique plated finishes in antique bronze, copper or nickel.

Arched Double Doors



Rectangular Double Doors



Architectural™ Arched and Rectangular Double Door Faces.

Choose the Metallic Black Paint Finish or add one of the beautiful antique finished Onlay options below. Onlays attach to the front of the black painted double doors.

Arched Onlay Options



Rectangular Onlay Options



Artisan™ Onlay

The Artisan™ Onlay has a soft Antique Nickel finish, which features a cross-hatch diamond pattern.



Classic™ Onlay

The Classic™ Onlay is available in an Antique Bronze finish and features the detailed lace-like appearance of the "Original" Fireplace Xtrordinair Classic design.



Arts & Crafts™ Onlay

The Arts & Crafts Onlay highlights a delicate oak leaf scroll, which is offered in a hand-rubbed antique copper finish.

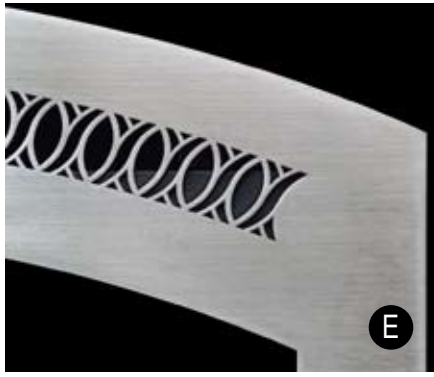
Classic Arch™ Faces



A

Classic Arch™ Faces

- A** The bedroom on the left features the Model 564 SS GS with Brushed Nickel Classic Arch™ face and includes the optional common brick fireback.
- B** The study on the lower right features the Model 564 SS GS Classic Arch, shown in black paint finish with standard black interior.
- C** Classic Arch, shown in brushed nickel finish, with optional common brick fireback.
- D** Classic Arch, shown in black metallic painted finish, with optional herringbone brick fireback.
- E** Classic Arch detail showing the trademark Classic X and O pattern detail.



The original Classic Arch™ face may be used with any Fireplace Xtordinaire gas fireplace. The graceful arch opening that frames the fire viewing area is complemented by a parallel arch face. This combination of curves has a timeless appeal and universal application for a wide range of architectural styles.

The delicate heat exchange grills have the appearance of woven lace, a design departure from the horizontal bars of the average fireplace.

The beautiful parallel arch appearance and fine detail of this fireplace has become a unique, trademarked characteristic of Fireplace Xtordinaire, the original and still the best arched fireplace.



French Country™ Arched Faces



A

French Country™ Arch Faces

A This great room on the left features the Model 864 TRV GS with the antique gold French Country™ face and includes the optional common brick fireback.

B Model 564 shown in the lower right features the black painted French Country face and optional common brick fireback.

C French Country, in black metallic painted finish with optional common brick fireback.

D French Country, shown in Antique Gold plate finish with optional herringbone brick fireback.

E French Country detail showing the laser cut detail of the top convection grill leaf pattern.



The French Country™ Arch face is the perfect option with any Fireplace Xtrordinair gas fireplace. The face complements the fire by adding warm, rustic comfort. The unique arch with its floral garland grill design comes in both black and a 24K hand-rubbed Antique Gold finish.

The lower room control door features detailed engraving, creating the appearance of individual rings of metal. This, paired with the rustic floral garland creates a beautiful decorative screen to be enjoyed for years.



Metropolitan™ Faces



A



B

Metropolitan™ Faces

The Metropolitan™ face may be installed on all Fireplace Xtrordinair fireplaces except the 21TRV. This fireplace design features the same beautiful grillwork of the Classic Collection, but in a more linear, retro style. The beveled edges of the Metropolitan face design also create an intriguing, three-dimensional appearance.



C



D

- A** Model 564 Space Saver shown to the left features the Brushed Nickel Metropolitan face and Herringbone brick fireback.
- B** Model 564 Space Saver shown above features the Metallic Black Painted Metropolitan face and Herringbone Brick fireback.
- C** Brushed Nickel Metropolitan Face with optional Herringbone Brick fireback.
- D** Metallic Black Painted Metropolitan Face with optional Herringbone Brick fireback.

Matrix™ Face



A



Matrix™ Face

The **Matrix™** face offers a fresh, modern look to the 564 SS gas fireplace.

The Matrix™ by Fireplace Xtrordinair is a contemporary styled facing designed for “making a statement” without the need for a traditional mantel or surround. Most importantly, its three-dimensional geometric design features offset, layered crimson pin-stripe over black in a structured geometric grid. Available only for the 564 Space Saver gas fireplaces.

- A** Model 564 SS shown with Matrix™ Face and common brick fireback option.
- B** Model 564 SS shown at left with Matrix™ Face and stainless steel interior liner option.
- C** Matrix™ Face in Brushed Nickel Finish with black screen and red inlay detail. The red inlay may be removed for a two-tone look of brushed nickel and black.





A

Artisan™ Face Collection

The Artisan™ fireplace face design and craftsmanship are reminiscent of the ironwork in the Great Lodges of Europe and America. The Artisan face is hand-forged and hammered by master blacksmiths in Europe. Each face bears unique, subtle characteristics from the hands of its creator, making it an individual work of art in iron.

On our gas fireplaces, a delicate wrought iron window detail of chiseled and twisted steel frames the soft curve of a large, ceramic glass viewing window.

Variations in the hand-forged metal texture create an infinite variety of firelight reflections, whether you choose charcoal paint, hand-rubbed antique nickel, or the antique copper finish.

A This rustic great room on the left features the Model 864 TRV GS with the Antique Nickel Artisan face and optional Diamond Mosaic Liner.



B



C



D



B Artisan Face in Hand-rubbed Antique Copper finish and optional herringbone brick fireback.

C Artisan Face in Hand-rubbed Antique Nickel finish and optional herringbone brick fireback..

D Artisan Face in Charcoal painted finish and optional common brick fireback..

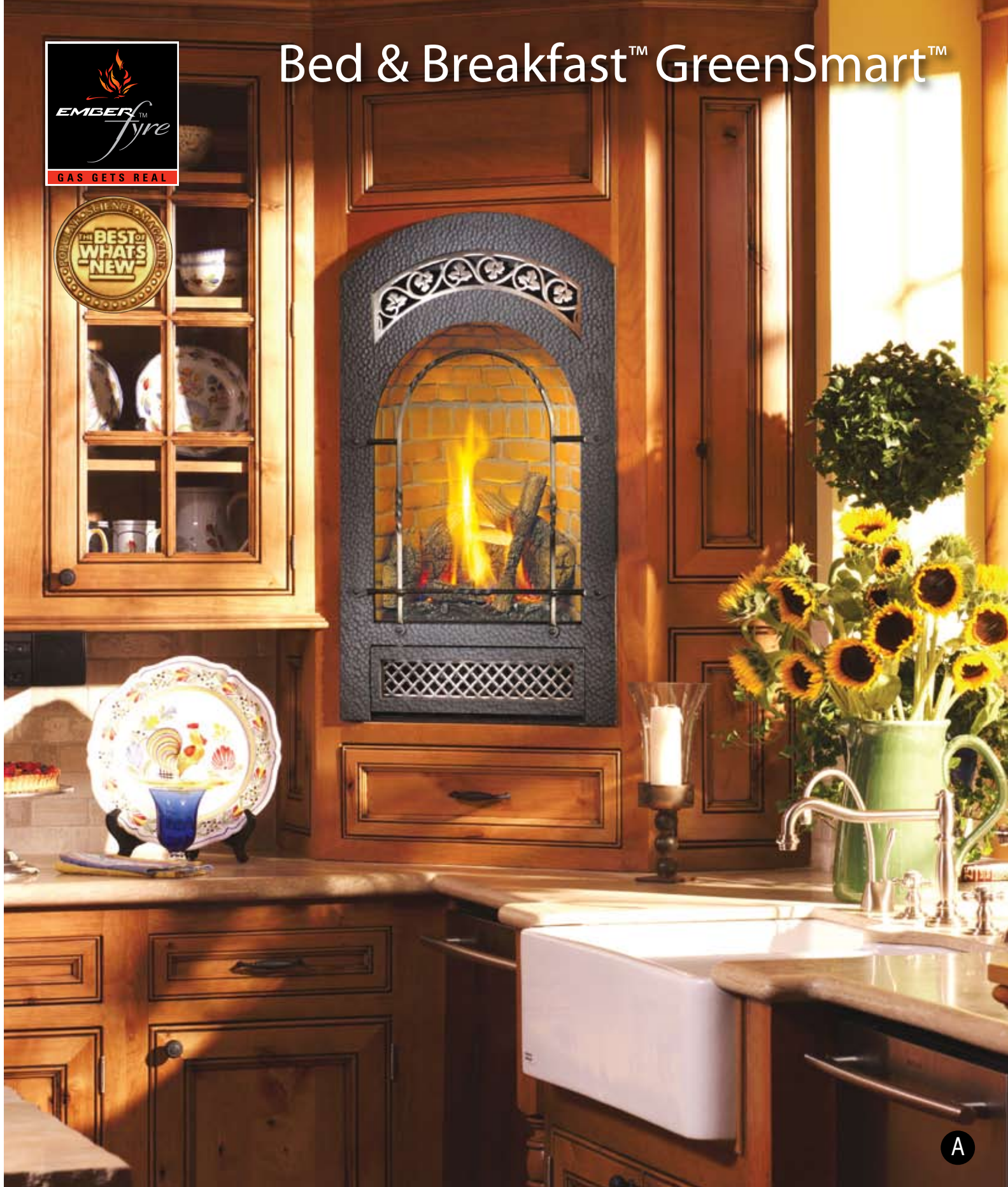
E This Arts & Crafts den below features the Antique Nickel Artisan face with common brick fireback on a Model 864 TRV GS fireplace.



E



Bed & Breakfast™ GreenSmart™



A

Bed & Breakfast™ (21 TRV) GreenSmart™

As the name Bed & Breakfast™ suggests intimacy and coziness, this gas fireplace embodies these very ideals. The Bed & Breakfast is designed for corner or limited space installations in small intimate settings such as bedrooms, baths and kitchens. The "Portrait" design of the fireplace offers a generous fire viewing area (394 sq. in.). With the award winning Split-Flow Ember-Fyre™ burner, the Bed & Breakfast fireplace gives you the ability to add a beautiful gas fireplace virtually anywhere in your home. Enjoy the flexibility of the Comfort Control™ valve which allows you to turn the flame down up to 77%!

The Bed & Breakfast can be top or rear vented and can heat a room or area up to 650 sq. ft. If you need a little more heat add the optional, quiet 90 CFM blower to circulate heated air throughout the room.

Use your fireplace year-round, by using the standard Accent Light. The Accent Light adds warm, dramatic highlights to the logs and optional liners, and can be used even when the fire is off.

- A** This kitchen on the left features the Bed & Breakfast fireplace with the Artisan hand-hammered face, optional Antique Copper Arts & Crafts grill inserts and Beehive Brick Liner.
- B** The Bed & Breakfast in this condo features the Black Classic Arch face, and has been enhanced with the Cast Shell Liner and installed in a pre-built tall corner cabinet which allows for a quick and easy addition of a fireplace in virtually any room.
- C** The bathroom features the Bed & Breakfast with the Brushed Nickel face and Tumbled Travertine Stone Liner and optional Copper Arts & Crafts Grills.



Black Painted Classic Arched Face



Brushed Nickel Classic Arch Face



Black Painted French Country Arched Face



Antique Gold French Country Face



Black Painted Artisan™ Face

Options

All faces are 21" W x 35" H

Choice of Five Arched Faces:

- Classic Black 98500361
- Classic Brushed Nickel 98500362
- French Country Black 95700145
- French Country Ant. Gold 95700143
- Artisan™ New Iron 98500365

Choice of Two Arts & Crafts Grills:

- Antique Nickel 98500366
- Antique Copper 98500364

Choice of Three Liners:

- Cast Iron Shell 98500670
- Tumbled Travertine Stone 98500668
- Beehive Brick 98500669

Additional Options:

- Wall Thermostat 99300650
- GreenSmart Remote NG 99300682
- GreenSmart Remote LP 99300681
- 90 CFM GreenSmart Fan 99000163
- Pre-Built Wood Cabinets



564 Space Saver™ GreenSmart™



Shown with Antique Gold French Country Arched face and Common Brick Firebrick.

564 Space Saver Face Options



Black Grill Set
(Arch Accent is removable)
36 1/4" W x 30 1/4" H



Black or Nickel Louver Set
36 1/4" W x 30 1/4" H



Black Painted Metropolitan™
36 1/8" W x 29 1/16" H



Brushed Nickel Metropolitan™
36 1/8" W x 29 1/16" H



Black Painted Classic Arch
36 1/8" W x 29 1/16" H



Brushed Nickel Classic Arch
36 1/8" W x 29 1/16" H



Black Painted French Country™
36 1/8" W x 29 1/16" H

564 SS - Space Saver™ GreenSmart™

The 564 SS (Space Saver) is designed to offer a large viewing area along with comfortable heating for the smaller rooms of your home - up to 950 sq. ft with the optional fan. With its consistent, radiant and convective heat and the reduced dimensions, this fireplace is ideal for zone heating in bedrooms, dens and intimate spaces that do not require a great deal of heat.

The realistic flame on the Dancing-Fyre burner along with the heat output, can be easily adjusted with our Comfort Control™ gas valve. This component allows you to turn the rear burner off, while maintaining the fire and glowing embers, giving the fireplace the ability to be utilized and enjoyed year round.

The 564 SS can be personalized for your home. Choose from something as simple as the basic grill to fifteen different upgrade face options in various textures and rich colors. An optional 180 CFM fan increases movement of heated air around the firebox, maximizing heat transfer and performance.



Standard Accent Light

Add a warm glow to your fireplace even when the fire is turned on or off! It's perfect as a night light or soft indirect light for the room.



Detailed Birch Log Set Upgrade

The 564 SS offers the option of replacing the standard log set with a Birch Log option to give your fireplace an entirely different look.

- Birch Log - 94400996

Cast Iron Andirons

Make your fireplace even more authentic with one of our classic cast iron andiron sets.



• Lodge Ring
96700641



• Traditional Urn
96700643



• Traditional Ring
96700642

Five Decorative Firebacks Designs

Decorate the inside of your fireplace with one of our ceramic brick, tile, and stucco firebacks or add the Stainless Steel liner with its lovely brushed metal patina finish.



• Reversible Common Brick/Herringbone Brick - 96100179



• Reversible Diamond Mosaic/Stucco - 96100182



• Stainless Steel Liner - 96100180



Antique Gold
French Country™
36 1/8" W x 29 1/16" H

Charcoal Painted
Artisan™
36 1/8" W x 29 1/16" H

Antique Copper
Artisan™
36 1/8" W x 29 1/16" H

Antique Nickel
Artisan™
36 1/8" W x 29 1/16" H

Architectural Rect.
Double Door
36 1/8" W x 29 1/16" H

Architectural Arch
Double Door
36 1/8" W x 29 1/16" H

Brushed Nickel
Matrix™
48 3/8" W x 31" H

Features

- Maximum BTUs: 20,500
- Thin profile - Only 16 1/4" deep.
- 564 square inches of tempered fire viewing glass.
- Removable safety screen in front of glass.
- Split-Level Dancing-Fyre™ burner.
- Standard wall switch included.
- Top or rear vent option on same unit.
- Easy to adjust air shutter.

Options

Choice of Fifteen Faces:

• Basic Grill Set	96200808
• Black Louvers	96200801
• Nickel Louvers	96200803
• Classic Arch Black	95400402
• Classic Arch Brushed Nickel	95400405
• French Country Black	95400408
• French Country Antique Gold	95400409
• Artisan Charcoal	95400418
• Artisan Antique Copper	95400419
• Artisan Antique Nickel	95400420
• Metropolitan Black	95400411
• Metropolitan Brushed Nickel	95400413
• Architectural Double Door Arch*	95400462
• Architectural Double Door Rect.*	95400466
• Matrix Brushed Nickel	95400475

* Onlays for the Architectural Double Door

• Artisan Antique Nickel Arch	96300771
• Arts & Crafts Antique Copper Arch	96300772
• Classic Antique Bronze Arch	96300770
• Artisan Antique Nickel Rect.	96300781
• Arts & Crafts Antique Copper Rect.	96300782
• Classic Antique Bronze Rect.	96300780

Additional Options:

• Wall Thermostat	99300650
• GreenSmart Remote NG	99300682
• GreenSmart Remote LP	99300681
• 180 CFM GreenSmart Fan	99000162

864 TRV GreenSmart™



Shown with charcoal painted Artisan™ face with optional Diamond Mosaic Liner.

864 TRV Face Options



Black Grill Set
(Arch Accent is removable)
41"W x 36 5/8" H



Black or Nickel Louver Set
41"W x 36 5/8" H



Black Painted Metropolitan™
40 3/4" W x 35 1/2" H



Brushed Nickel Metropolitan™
40 3/4" W x 35 1/2" H



Black Painted Classic Arch
40 3/4" W x 35 1/2" H



Brushed Nickel Classic Arch
40 3/4" W x 35 1/2" H



Black Painted French Country™
40 3/4" W x 35 1/2" H

864 TRV - Top/Rear Vent GreenSmart™

The 864 TRV top or rear vent is perfect for warmer climates, mid-sized rooms, or a beautiful, decorative fire all year long. It features a wide BTU turn down range for more heat flexibility and flame viewing options. A wide range of face styles and options are available to create an Xtordinaire fire. The 864 TRV features 864 square inches of glass with a child-safe mesh screen in front. The screen is removable if desired.

Ultimate Flame Regulation

You have virtually unlimited flame variation with our Comfort Control™ switch and the variable flame control. Use all 31,000 BTU's of flame on the coldest winter nights or turn it down to only 6,700 (NG) or 5,200 (LP) for a romantic firelight on a warmer night. You can enjoy a full flame fire with maximum height or use the variable flame control or optional GreenSmart remote to turn the flames lower when you want less heat. Use the Comfort Control™ switch to turn off the rear burner completely for a darker, more romantic fire and less heat.

Standard Accent Light

Add a warm glow to your fireplace even when the fire is turned on or off! It's perfect as a night light or soft indirect light for the room.

Choice of Three Andirons

Make a dramatic statement with a pair of our beautiful optional cast iron andirons.



• Arabesque 98500633



• Colonial 98500631



• Wrought Iron 98500632

Five Decorative Firebacks Designs

In addition to adding a gorgeous face to the outside of your fireplace, you can also decorate the inside with one of our patterned firebacks.



• Reversible Common/Herringbone Brick
96100262



• Reversible Diamond Mosaic Tile/Stucco
96100264



• Stainless Steel Liner
96100263



Antique Gold
French Country™
40 3/4"W x 35 1/2"H



Charcoal Painted
Artisan™
40 3/4"W x 35 1/2"H



Antique Copper
Artisan™
40 3/4"W x 35 1/2"H



Antique Nickel
Artisan™
40 3/4"W x 35 1/2"H



Architectural Rect.
Double Door
40 7/8"W x 35 5/8"H



Architectural Arch
Double Door
40 7/8"W x 35 5/8"H

Features

- Heating Capacity: Up to 1,400 sq. ft. with optional fan
- Maximum BTU's per hour: 31,000
- 8" top or rear vent options.
- No hearth required
- 864 square inches of tempered viewing glass.
- Removable safety screen in front of glass.
- Split-Level Dancing-Fyre™ burner for realistic flame.
- Standard wall switch included.
- Easy to adjust air shutter.
- Add heat to one additional room in your home with the Extra Room Power Heat Duct Kit.

Options

Choice of Fourteen Face Designs:

• Basic Black Grill Set	91002161
• Black Louvers	91002162
• Nickel Louvers	91002163
• Metropolitan Black Face	95800623
• Metropolitan Nickel Face	95800624
• Classic Arch Black	99300497
• Classic Arch Brushed Nickel	95800615
• French Country Black	95800616
• French Country Antique Gold	99300499
• Artisan Charcoal	99300498
• Artisan Antique Copper	95800619
• Artisan Antique Nickel	95800620
• Architectural Double Door Arch*	95800740
• Architectural Double Door Rect.*	95800742

* Onlays for the Architectural Double Door

• Artisan Antique Nickel Arch	96300791
• Arts & Crafts Antique Copper Arch	96300792
• Classic Antique Bronze Arch	96300790
• Artisan Antique Nickel Rect.	96300801
• Arts & Crafts Antique Copper Rect.	96300802
• Classic Antique Bronze Rect.	96300800

Additional Options

• Wall Thermostat	99300650
• GreenSmart Remote NG	99300682
• GreenSmart Remote LP	99300681
• Extra Room Power Heat Duct Kit	98500769
• 180 CFM GreenSmart Fan	99000162

864 See-Thru GreenSmart™

Decorative Fireback Options



• Reversible - Common Brick or Herringbone Brick 96100184



• Reversible - Diamond Mosaic Tile or Stucco 96100186



• Stainless Steel 96100188

Shown with arched Architectural Double Doors with Classic Bronze Onlays, Tile Guide for arched installations and Common Brick Fireback.

864 See-Thru Face Options



Black Grill Set
(Arch Accent is removable)
41" W x 36 5/8" H



Black or Nickel Louver Set
41" W x 36 5/8" H



Black Painted Metropolitan™
40 3/4" W x 35 5/8" H



Brushed Nickel Metropolitan™
40 3/4" W x 35 5/8" H



Black Painted Classic Arch
40 3/4" W x 35 1/2" H



Brushed Nickel Classic Arch
40 3/4" W x 35 1/2" H



Black Painted French Country™
40 3/4" W x 35 1/2" H

864 See-Thru GreenSmart™

A home is a combination of dreams and choices, each a reflection of you. From the most intimate engraved details on a fireplace face to the grandest of fires, our fireplaces bring a sense of tranquility to your home.

The 864 ST maintains this tranquility with a perfect balance between the firebox, logs and flames. The logs and fire have been carefully designed to give you a different look from either side. Compare the amazingly realistic nine piece logset with any other see-thru fireplace on the market! With the unique split-level Dancing-Fyre burner, the 864 ST See-Thru fireplace will give you a warm, yellow fire with glowing embers that your friends and family will have a hard time telling apart from a real wood fire.

A Fireplace With Two Points of View

With two sides to the 864 ST Fireplace you can personalize each room using a different face on each side of the fireplace. Choose from the Basic Grill Set in black, choice of black or brushed nickel louvers or pick one of the eleven beautiful upgrade faces in a wide variety of finishes and designs.

Standard Accent Light

Add a warm glow to your fireplace even when the fire is turned on or off! It's perfect as a night light or soft indirect light for the room.



Decorative Firebacks

In addition to adding a gorgeous face to the outside of your fireplace, you can also decorate the inside. We offer two reversible fireback liners and a striking stainless steel liner that give you the choice of five different interior looks.

Choice of Three Andirons

Make a dramatic statement with a pair of our beautiful optional cast iron andirons.



Arabesque
98500633



Colonial
98500631



Wrought Iron
98500632



Antique Gold
French Country™
40 3/4" W x 35 1/2" H



Charcoal Painted
Artisan™
40 3/4" W x 35 1/2" H



Antique Nickel
Artisan™
40 3/4" W x 35 1/2" H



Antique Copper
Artisan™
40 3/4" W x 35 1/2" H



Architectural Rect.
Double Door
40 7/8" W x 35 5/8" H



Architectural Arch
Double Door
40 7/8" W x 35 5/8" H

Features

- Heating Capacity: Up to 1,500 sq. ft. with fan
- Maximum BTUs per hour: 37,500
- 8" top or side vent options.
- No hearth required.
- 1728 square inches of ceramic viewing glass.
- Removable safety screen in front of glass.
- Split-Level Dancing-Fyre burner for realistic flame pattern.
- 9 piece log set - different look from either side.
- Easy to adjust air shutter.
- Standard wall switch included.
- Add heat to one additional room in your home with the Extra Room Power Heat Duct Kit.

Faces

Choice of Fourteen Designs:

• Basic Black Grill Set	91002161
• Black Louvers	91002162
• Nickel Louvers	91002163
• Metropolitan Black Face	95800623
• Metropolitan Nickel Face	95800624
• Classic Arch Black	99300497
• Classic Arch Brushed Nickel	95800615
• French Country Black	95800616
• French Country Antique Gold	99300499
• Artisan Charcoal	99300498
• Artisan Arch Antique Copper	95800619
• Artisan Arch Antique Nickel	95800620
• Architectural Double Door Arch*	95800740
• Architectural Double Door Rect. *	95800742

* Onlays for the Architectural Double Door

• Artisan Antique Nickel Arch	96300791
• Arts & Crafts Antique Copper Arch	96300792
• Classic Antique Bronze Arch	96300790
• Artisan Antique Nickel Rect.	96300801
• Arts & Crafts Antique Copper Rect.	96300802
• Classic Antique Bronze Rect.	96300800

Additional Options

• 130 CFM GreenSmart Fan	99000164
• Wall Thermostat	99300650
• GreenSmart Remote NG	99300682
• GreenSmart Remote LP	99300681
• Extra Room Power Heat Duct Kit	98500769

Wall Thermostat or Remotes

Fireplace Xtrordinair's wall thermostat and remote control options make the operation of your fireplace as easy as setting the temperature on the wall thermostat or pushing of a button from the comfort of your living room chair.



Wall Thermostat - The wall thermostat can be wired up to 25 feet from the appliance and allows you to set the room temperature you wish to maintain in the room.



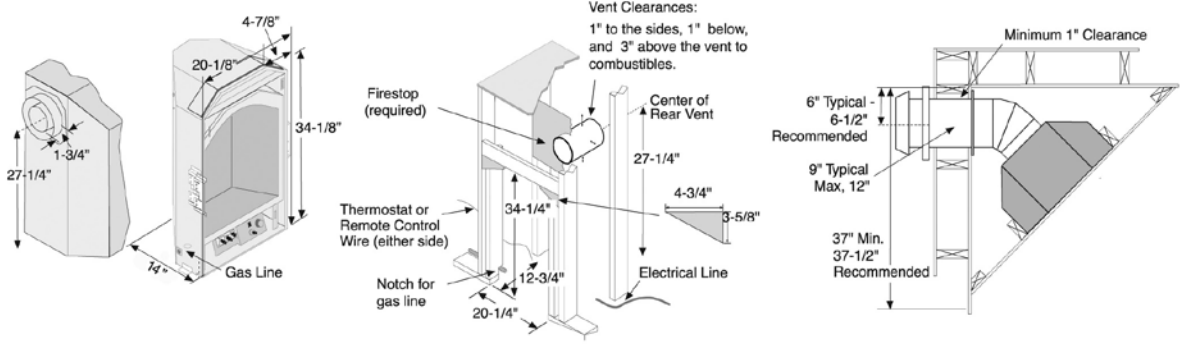
GreenSmart Remote Control -The optional hand-held GreenSmart remote includes the GreenSmart receiver cartridge, servo motor for the gas valve, power control module and wire harness. All basic features are controlled via the hand-held remote control, which includes both front and rear burners, blower and accent light with the addition of using the energy saving "Smart" mode, which automatically adjust both flame and heat output to your desired temperature without cycling the fireplace ON and OFF.

Covered Outdoor Room Installation

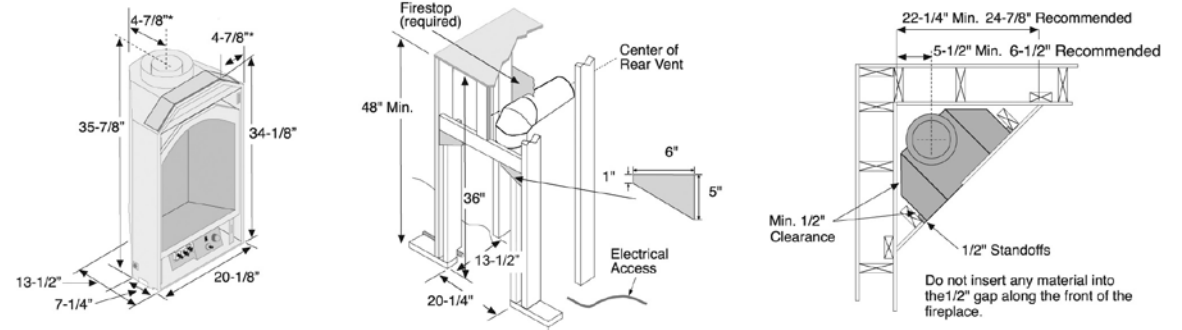
The outdoor living room is the most asked for room addition found in new home construction and remodels. Now you can add the beauty of fire to your outdoor living environment with a fireplace by Fireplace Xtrordinair. All the gas fireplaces in this brochure are approved for outdoor installation when installed in a covered porch or if the fireplace is protected by a roof overhang. Fireplaces must be protected from direct water impingement. In addition to maintaining listed mantel and combustible clearances, a rain protection overhang factor of 0.5 (i.e.: 0.5 feet of overhang for every 1.0 foot of roof line elevation above the base of the fireplace) must be constructed to the front and to each side of installed appliances. All wiring connections to power must be in accordance with outdoor requirements of NECA NFPA70.



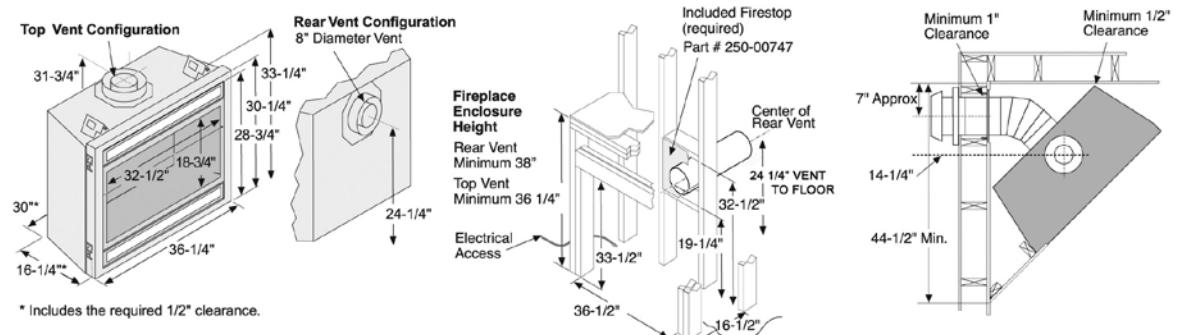
21 TRV GS Rear Vent
Bed & Breakfast



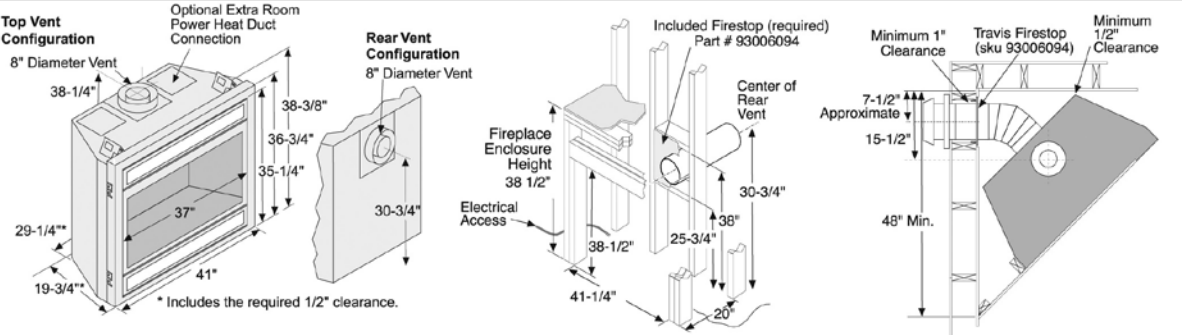
21 TRV GS Top Vent
Bed & Breakfast



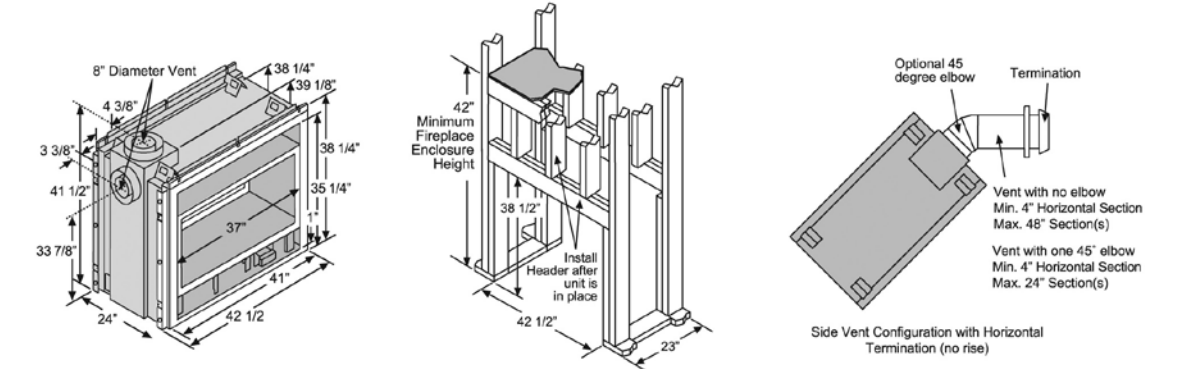
564 SS GS
Space Saver



864 TRV GS
Top Vent/Rear Vent



864 ST GS
See-Thru

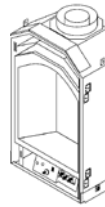


GreenSmart Fireplaces

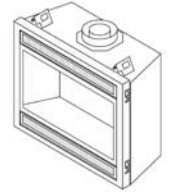
The dimensions and clearances on this page are for reference only!

Refer to the Owner's Manual prior to installation

21
TRV GS



564
SS GS



SPECIFICATIONS	21 TRV GreenSmart	564 Space Saver GreenSmart
Height (including standoffs)	35 7/8"	33 1/4"
Width	20 1/8" Front	36 1/4"
Depth	13 1/2" Top Vent, 14" Rear Vent	16 1/4" (Includes 1/2" clearance)
Flue Diameter	8"	8"
Unit Weight	97 lbs.	155 lbs.
Burner System	Ember-Fyre™**	Dancing-Fyre™
Glass Area (will vary slightly with face plate design)	17 5/8" W x 23 1/4" H = 394 sq. in.	31 3/8" W x 18 1/8" H = 564 sq. in.
Powerful Fan	YES - 90 CFM (Optional)	YES - 180 CFM (Optional)
Power Duct Option	NO	NO

*Ember-Fyre™ Protected By U.S. Patent #6,602,068, #6,443,726 and other patents pending.

PERFORMANCE*	*Gas appliance performance can be affected by negative pressure in the home and by prevailing atmospheric conditions. Efficiency may vary or fire officials about restrictions and installation requirements in your area.	
Heating Capacity*	Up to 650 Sq. Ft.	Up to 950 Sq. Ft.
BTU Input High/Output Low (NG)*	16,500 (high) 10,500 (low)	20,500 (high) 5,100 (low)
BTU Input High/Output Low (LP)*	16,500 (high) 9,380 (low)	20,500 (high) 4,200 (low)
Overall Efficiency* (maximum venting)	82.2% (NG) 79.5% (LP)	76.5% (NG) 74.2% (LP)
AFUE*	63% (NG) 63% (LP)	64% (NG) 66% (LP)

COMBUSTIBLE CLEARANCES	Always consult the Owner's Manual before beginning any installation. Installation and framing information		
<p>Measurements on 21 TRV, 564 SS and 864 TRV taken from fireplace face. Clearances from the 864 ST taken from glass frame.</p> <p>A= To Mantel D= To Side Facing B= To Top Facing E= Front Hearth C= To Sidewall F= Hearth Width</p>	<p>The Bed & Breakfast fireplace requires a 1" minimum clearance from face to sidewall. Combustibles can be installed up to the standoffs on the unit. If a mantel is used please see Owner's Manual for minimum clearances.</p>	<p>A = 38 1/2"* (measured from base of fireplace)</p>	
		B = 0"	
		C = 1"	
		D = 0"	
		E = None Required	
		F = None Required	
		*0 to 12" maximum mantel depth. See Owner's manual for details	
	<p>The height of the Bed & Breakfast fireplace enclosure must be a minimum of 48" above the base of the fireplace on the Top Vent and 34" on the Rear Vent.</p>		
	<p>If placed on a raised hearth, the ceiling above the Bed & Breakfast must be at least 57" measured from the base of the fireplace.</p>		

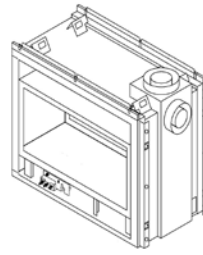
TESTING & INSTALLATION INFORMATION

Tested and Listed by OMNI-Test Laboratories Inc. to ANSI Z21.88b-2001 "Vented Gas-Fired Direct Fireplace Heater." Must be installed in accordance with all local codes, if any: if not, follow ANSI Z223.1 and the requirements listed in the Owner's Manual.

864
TRV GS



864
ST GS



864 TRV GreenSmart

864 See-Thru GreenSmart

38 3/8"	38 1/4"
41"	42 1/2"
19 3/4" (Includes 1/2" clearance)	24"
8" (Top vent can be reduced to 6 5/8")	8" (Top vent can be reduced to 6 5/8")
181 lbs.	310 lbs.
Dancing-Fyre™	Dancing-Fyre™
36" W x 24" H = 864 sq. in.	Each side 36" W x 24" H = 1728 sq. in.
YES - 180 CFM (Optional)	YES - 130 CFM (Optional)
YES (One Only)	YES (One Only)

depending on vent configuration and atmospheric conditions. Contact local building

Up to 1,400 Sq. Ft.	Up to 1,500 Sq. Ft.
31,000 - 6,700	37,500 - 14,700
31,000 - 5,200	37,500 - 10,000
80% (NG) 81% (LP)	76.4% (NG) 77.5% (LP)
68.3% (NG) 69.8% (LP)	64% (NG) 65%(LP)

is available at your local Fireplace Xtrordinair dealer or on our website at www.fireplacex.com

A = 40 3/4" to 48 3/4"* (measured from base of fireplace)	A = 38 1/4" to 48 3/4" * (measured from base of fireplace)
B = 0"	B = 0"
C = 1"	C = See Owner's Manual
D = 0"	D = 1" from side of fireplace
E = None Required	E = None Required
F = None Required	F = None Required
*Will vary depending mantel depth. 0 to 12" maximum mantel depth. See Owner's manual for details Note: Each face plate design varies in dimension slightly.	*Will vary depending mantel depth. 0 to 12" maximum mantle depth. See Owner's manual for details Note: Each face plate design varies in dimension slightly.

NOTE: Improper installation of your gas appliance or failure to operate it in accordance to the guidelines detailed in the Owner's Manual may negate your warranty and endanger your home and family. Installation information is available on our website at www.fireplacex.com.

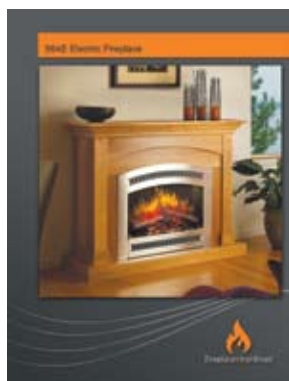
We recommend all Fireplace Xtrordinair appliances be installed and maintained on an annual basis by your Specialty Hearth Retailer.

Warranty

Your gas fireplace is backed by up by a network of Specialty Hearth Dealers and certified factory trained installers. Fireplace Xtrordinair warrants our products to be free from defects in material and workmanship for a period of seven years from date of purchase. All parts, electronics (except light bulbs), and labor are covered for a full 2 years. Trim and faces are covered for a period of one year. No other manufacturer's warranty can compare.

Additional Fireplace Xtrordinair Products

If you are in the market for other hearth products, Fireplace Xtrordinair manufactures a full line-up of wood, gas and electric fireplaces and wood and gas fireplace inserts.



Electric Fireplaces/Inserts

Fireplace Xtrordinair Electric Fireplace/Insert offers the convenience of adding a fireplace to any room within your home. With no venting required, installation can be completed in as little as one hour. Choose from a selection of finish faces to match any home decor.



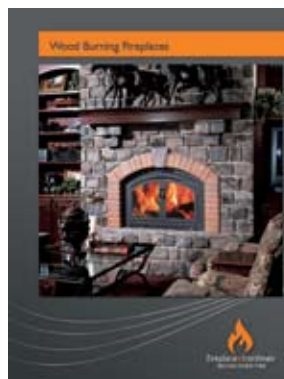
Clean Face Gas Fireplaces

If you are interested in the latest in fireplace design, Fireplace Xtrordinair's Revolution™ Clean Face fireplace offers the look of a traditional open fireplace without grills or louvers. These fireplaces operate with the efficiencies of a gas furnace. Choose from single sided, see-through or pier models.



Fireplace Inserts (Wood or Gas)

Turn your old, open masonry or metal (zero clearance) fireplace into a clean, efficient source of heat for your home. Fireplace Xtrordinair offers a complete line of heater rated wood and gas inserts to fit virtually any existing fireplace.



Wood Burning Fireplaces

If you prefer heating with wood, Fireplace Xtrordinair is the nations #1 manufacturer of EPA Certified clean burning fireplaces that feature the remarkable Posi-Pressure complete home heating system.



fireplacextrordinair™
REDISCOVER FIRE

See our complete line of fireplaces
Visit us online: www.fireplacex.com

We reserve the right to change and improve our product at any time without prior notification. Please refer to the Owner's Installation Manual for complete installation requirements. Photos and illustrations are for descriptive purposes only • Copyright © 8/2009



#98800241