

**Blaze
King**

BRIARWOOD II

SAVE
WITH A FEDERAL TAX CREDIT
\$ UP TO 1500*

*Details at blazeking.com or from your
Blaze King retailer.

Briarwood II[®]

Stove or Insert

Model BR11/90



*Briarwood Stove Shown With
Optional Gold Trim Door*

Briarwood II

Affordable Excellence From the Wood Stove Experts!

Superior Engineering

The Briarwood II by Blaze King® provides excellent heat from solid wood fuel. Featuring non-catalytic technology, the Briarwood II offers clean burning and an unobstructed view of the fire. The Briarwood II is designed for easy installation and maximum flexibility in stove placement. The Briarwood stove is approved for both alcove and mobile home installations when properly installed with close clearance kit.

More Heat

The Briarwood II by Blaze King® offers a medium size fire box, eliminating the hassle associated with the frequent reloading of smaller stoves. Lined with thermo-reactive fire brick, it radiates heat directly into the room. Secondary combustion burns smoke and gases, optimizing efficiency, while cleaning the glass door surface.



Special Features

The large viewing glass door allows the fire to be seen from different angles in the room, creating the atmosphere of an open fireplace. The warmth and beauty of the fire can be highlighted with the addition of optional gold-plated door trim. The wide opening door facilitates ease in loading.



Blaze King® Industries
www.blazeking.com



BRII/90 Shown With Optional Gold Trim Door

Specifications

Width
 Height (top of flue collar)
 Depth
 Shipping Weight
 Shroud Dimensions
 Mobile Home Approved
 Combustion Chamber Cu. Ft.
 Flue Size

Stove

27 1/2"/699mm
 31"/788mm
 18"/457mm (add 3 1/2" for apron)
 330#/150kg
 NA
 Yes
 2.1
 6"

Insert

28 3/4"/730mm
 22"/559mm
 13 1/4"/336.55mm
 380#/173kg
 43"/1092mm x 283/8"/721mm
 No
 2.1
 6"

BTU's Per Hour
 Minimum Floor Protection
 In Canada
 In USA
 Door Opening
 Heating Capacity (average)
 Wood Length
 Rear Wall Clearance Minimum
 (See Stove Label For Clearances)
 EPA Emissions
 Low Burn Time
 Overall Efficiency
 Low Heat Value (LHV) Efficiency

10,600-40,000
 43 1/2" x 47 1/2"/1105mm x 1207mm
 *18" Front/8" Rear
 *16" Front/8" Rear
 22" x 11"/559mm x 279mm
 1,200+ sq. ft.
 22"/559mm (left to right loading)
 12"/305mm (front to rear loading)
 15"/381mm
 3.5 gr/hr.
 6-8 hours
 70.5%
 79.7%

10,600-40,000
 NA
 18" Front
 16" Front
 22" x 11"/559mm x 279mm
 1,200+ sq. ft.
 22"/559mm (left to right loading)
 12"/305mm (front to rear loading)
 3.5 gr/hr.
 6-8 hours
 70.5%

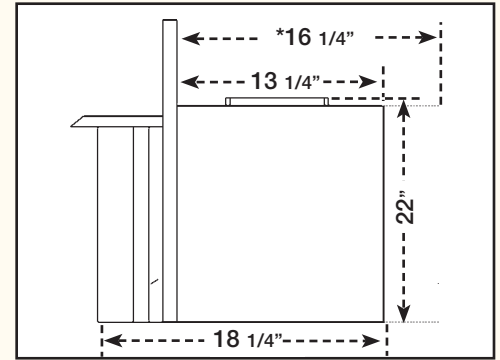
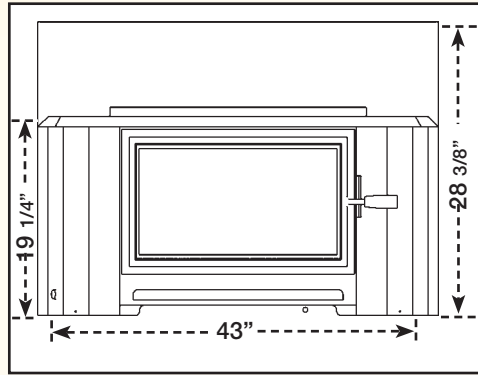
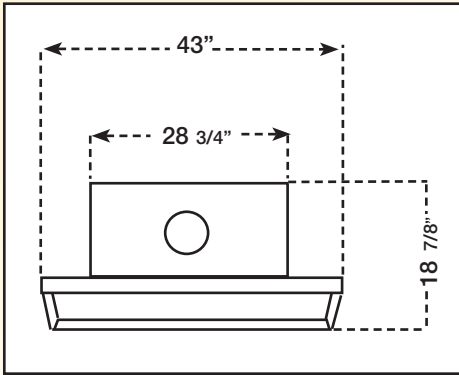


Affordable and perfect for a small home as a supplemental heat source. Produces up to 40,000 Btu's per hour. Zone heating has been proven to significantly reduce winter heating costs. The Briarwood stove and Briarwood insert are perfectly suited to zone heating. The Briarwood insert is approved as a masonry fireplace insert or can be used with any manufactured fireplace rated to U.L.127.

- EPA & Washington State Approved
- Up to 40,000 Btu's
- Mobile Home Approved
- Operates During Power Failures
- Wide-View Door with Optional Gold Trim
- 1400 Degree Ceramic Glass
- Easy To Clean Hinged Door
- Optional Variable Speed Fan

Briarwood II

Specifications-Insert



*Actual Firebox depth is adjustable due to design.

Approved for Factory Built & Masonry Fireplaces. If installed in Factory Built Fireplace, fireplace & required liner must meet UL127/UL1777 or ULCS610/ULCS635.

For Complete Installation Information refer to Owners Manual prior to installation.

Min. Fireplace Opening-Width	29"/737mm
Min. Fireplace Opening-Height	23"/584mm
Min. Fireplace Depth	13 1/2"/343mm

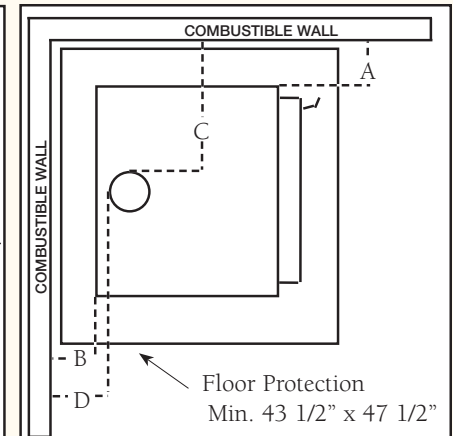
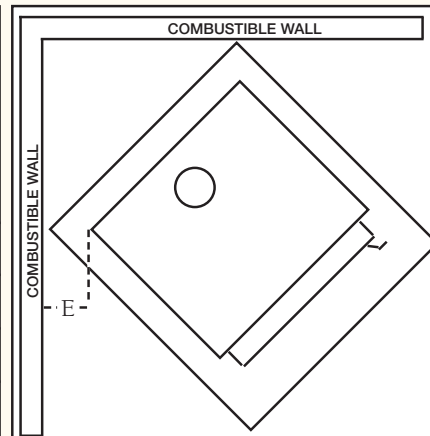
Min. Clearances To Combustibles From Insert Shroud

Side to Combustible Wall	4"/102mm
Top Of Shroud To Mantel	10 1/2"/267mm
Side To Combustible Facing	1"/25mm

* If unit is installed on a hearth flush with a combustible surface, then R1.1 protection is required 19" in front of the door opening and 8" on the sides. If the unit is installed on a hearth elevated 3" or more from a combustible surface, then 18" of non-combustible floor protection is required in front of the door opening and 8" on the sides.

Clearances-Stove

The figures below are for roof exit only. For Alcove or Wall exit applications refer to Owners/Operators Manual prior to installation.	
Single Wall Pipe Standard Application	Mobile Home Reduced Clearances Use Side Shields & Rear Shields
A. 15"/381mm	14"/356mm
B. 15"/381mm	8"/203mm
C. 25 3/4"/654mm	24 3/4"/629mm
D. 18"/457mm	11"/279mm
E. 15"/381mm	8"/203mm



NOTICE: Improper installation of your wood burning appliance or failure to operate it according to the guidelines detailed in the owners manual, may negate your warranty and endanger your home or family. Contact local building or fire officials about restrictions and installation requirements in your area. Photos and illustrations are for descriptive purposes only. Changes dictated by the manufacturer's continuing design improvement programs may not be shown. These products are covered by one or more patents in the United States, Canada and other countries. All Blaze King® Industries products are manufactured under license agreement from: Blaze King® Industries, 146 A Street, Walla Walla, WA. 99362 and in Canada by Blaze King® Systems Inc. 1290 Commercial Way, Penticton BC V2A3H5. Design and specifications subject to change without notice. 07/09 CP76366 5M

Your Authorized Dealer:



Blaze King® Industries
www.blazeking.com