



Unique portrait-style gas fireplace offers distinctive and cozy charm that can be easily installed in unique spaces within the home and customized to reflect your personal style.

LENNOXTM
HEARTH PRODUCTS

DAVE LENNOX
*signature*TM
COLLECTION



Adagio™ shown with red herringbone ceramic liner, brushed nickel arch façade and black nickel Aspen™ insets.



Adagio™ shown with cobblestone ceramic liner, black arch façade and gold Napa™ insets.

■ Installing the Adagio™ direct-vent gas fireplace from the Dave Lennox *Signature™* Collection is akin to adding a piece of art to your home. The distinctive vertical orientation and small size make it an ideal fit for smaller or unconventional spaces—like your kitchen, bathroom or dining room. The tall glass area provides a beautiful view of flames dancing on high-definition logs and glowing embers. Plus, with a variety of gorgeous façades and one-piece ceramic liners that capture a real masonry look, the Adagio can be customized to complement your home's unique style and décor. ■

CUSTOMIZE TO YOUR TASTE

With the Adagio™ direct-vent gas fireplace, you have plenty of options to create the perfect look for your home. Start with your choice of ceramic liners and façade designs, then choose from a variety of optional accessories. Before you know it, you'll be relaxing in front of your dream fireplace!

STEP 1: LINERS

Choose from four exceptional ceramic liners for complete home décor integration.



Cobblestone



Red Rustic



Red Herringbone



Stucco

STEP 2: FAÇADES

Choose from four façade styles to create a truly unique fireplace that perfectly fits your home.



Iron garden gate



Copper garden gate



*Black arch
(insets required)*



*Brushed nickel arch
(insets required)*

STEP 3: ARCH FAÇADE INSETS

Choose from three Arch façade inset designs available in black, brushed nickel, gold or black nickel.



Aspen™

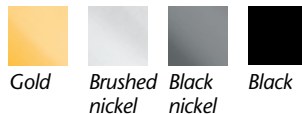


Napa™



Tuscan™

AVAILABLE FINISHES



Gold Brushed nickel Black nickel Black

STANDARD FEATURES

Large, 16" x 22" glass area offers uncompromised views of the fire presentation

High-definition logs provide authentic detail for the ultimate in realism

Ceramic glass radiates warmth back into the room for superior heating

Burner design produces glowing logs and enchanting embers for realism and beauty

AFUE-heater-rated unit burns efficiently for optimal fuel usage

OPTIONAL ACCESSORIES

Remote control

Wall thermostat



STEP 4: BLOWER (optional-millivolt only)

Install an optional blower by simply sliding it into place under the firebox.



STEP 5: BARRIER SCREEN KIT (optional)

Create a barrier to prevent direct contact with hot glass. Affixes directly to the front of the fireplace.



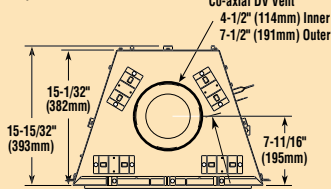
Barrier screen

DIMENSIONS

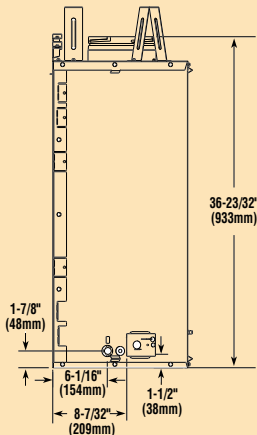


ADAGIO™ FIREPLACE DIMENSIONS

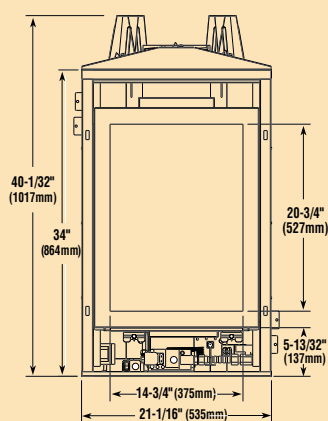
Top View



Side View

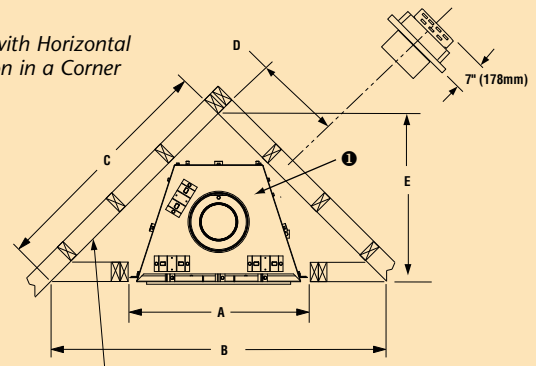


Front View



CORNER FRAMING DIMENSIONS

Top Vent with Horizontal Termination in a Corner



① When installing in a corner configuration, one of the rear stand-offs will need to be removed.

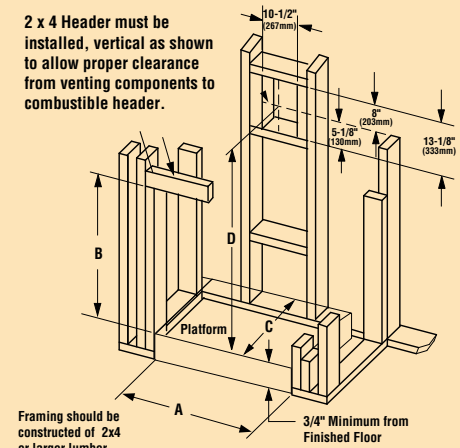
A	B	C	D	E
22-1/8" (562mm)	41-5/8" (1057mm)	29-1/2" (749mm)	10" (254mm)	20-7/8" (530mm)

FRAMING DIMENSIONS

Vent Framing-
Top Vent
with one
90° elbow

2 x 4 Header must be installed, vertical as shown to allow proper clearance from venting components to combustible header.

Shown with
Optional Platform



A	B	C	D
22-1/8" (562mm)	40-1/4" (1022mm)	15-3/4" (400mm)	44-1/8" (1121mm)

GAS FIREPLACE EFFICIENCIES

	BTU	STEADY-STATE	CANADIAN ENERGUIDE RATING
NATURAL GAS	10,000-13,000	71.82%	58.3%
PROPANE	10,000-13,000	73.27%	59.4%

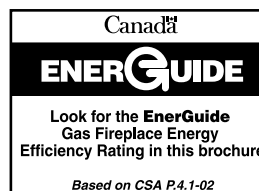
PRODUCTS YOU CAN COUNT ON

Lennox is committed to providing you with high-quality products. A qualified dealer can help you find the right product to give you years of comfort and enjoyment.



© Lennox Industries Inc. 2010

Visit us at www.lennox.com, or contact us at 1-800-9-LENNOX.



IMPORTANT NOTES:

As with any heating appliance, fireplace or stove, this appliance is extremely hot during operation. Read and understand all operating instructions before using this appliance. For further information, consult your dealer.

Local conditions, such as elevation, wind, vent configuration and choice of fuel will affect overall appearance of the fire and heating performance. Performance can also vary with home design and insulation, climate, condition and type of fuel used, appliance location, burn rate, accessories chosen, chimney installation and how the appliance is operated.

Diagrams, illustrations and photographs are not to scale—consult installation instructions. Product designs, materials, dimensions, specifications, colors and prices are subject to change or discontinuance without notice.



Mixed Sources
Cert no. SCS-COC-001182
© 1996 FSC